



— Installation assistance available at: —
RFTECH
 — www.rockfordfosgate.com/rftech —

**DIGITAL MEDIA RECEIVER
 FOR 1998-2013 HARLEY-
 DAVIDSON® MOTORCYCLES**

P U N C H®

PMX-HD9813



Bluetooth® ((siriusxm))



pandora



600 South Rockford Drive • Tempe, Arizona 85281 United States
 Direct: (480) 967-3565 • Toll Free: (800) 669-9899

rockfordfosgate.com

Installation & Operation

Introduction

Dear Customer,

Congratulations on your purchase of the world's finest brand of audio products. At Rockford Fosgate we are fanatics about musical reproduction at its best, and we are pleased you chose our product. Through years of engineering expertise, hand craftsmanship and critical testing procedures, we have created a wide range of products that reproduce music with all the clarity and richness you deserve.

For maximum performance we recommend you have your new Rockford Fosgate product installed by an Authorized Rockford Fosgate Dealer. Please read your warranty and retain your receipt and original carton for possible future use.

Great product and competent installations are only a piece of the puzzle when it comes to your system. Make sure that your installer is using 100% authentic installation accessories from Rockford Fosgate in your installation. Rockford Fosgate has everything from RCA cables and speaker wire to power wire and battery connectors. Insist on it! After all, your new system deserves nothing but the best.

To add the finishing touch to your new Rockford Fosgate image, order your Rockford accessories, which include everything from T-shirts to hats.

Visit our web site for the latest information on all Rockford products; www.rockfordfosgate.com or, in the U.S. call 1-800-669-9899 or FAX 1-800-398-3985. For all other countries, call +001-480-967-3565 or FAX +001-480-966-3983.

Table of Contents

- 2** Introduction
- 3** Specifications
- 4** Design Features
- 5** Installation/Mounting
- 6-10** Operation
 - Settings
 - Tuner (AM/FM)
 - USB-iPod
 - AUX (Auxiliary Input)
 - Bluetooth®
 - Pandora®
 - SiriusXM®
- 11** PMX-BTUR Function Table
- 12-13** Troubleshooting
- 14-53** French, Spanish, German & Italian
- 54** Limited Warranty Information

If, after reading your manual, you still have questions regarding this product, we recommend that you see your Rockford Fosgate dealer. If you need further assistance, you can call us directly at 1-800-669-9899. Be sure to have your serial number, model number and date of purchase available when you call.

PRACTICE SAFE SOUND

Continuous exposure to sound pressure levels over 100dB may cause permanent hearing loss. High powered auto sound systems may produce sound pressure levels well over 130dB. Use common sense and practice safe sound.

Safety

This symbol with "WARNING" is intended to alert the user to the presence of important instructions. Failure to heed the instructions could result in severe injury or death.



This symbol with "CAUTION" is intended to alert the user to the presence of important instructions. Failure to heed the instructions could result in injury or unit damage.



To prevent injury and damage to the unit, please read and follow the instructions in this manual.

If you feel unsure about installing this system yourself, have it installed by a qualified Rockford Fosgate dealer.

Before installation, disconnect the battery negative (-) terminal to prevent damage to the unit, fire and/or possible injury.

FCC Compliance Statement

FCC ID: 2AB7S-CW51P

This equipment has been tested and found to comply with the limits for a Class B digital device, pursuant to part 15 of the FCC Rules. These limits are designed to provide more reasonable protection against harmful interference in a residential installation.

Operation is subjected to the following two conditions: (1) This device may not cause harmful interference, and (2) the device must accept any interference received, including interference that may cause undesired operation.

This equipment generates, uses, and can radiate radio frequency energy and, if not installed and used in accordance with the instructions, may cause harmful interference to radio communications. However, there is no guarantee that interference will not occur in a particular installation. If this equipment does cause harmful interference to radio or television reception, which can be determined by turning the equipment off and on, you are encouraged to try to correct the interference by one of the following measures:

Reorient or relocate the receiving antenna.

Increase the separation between the equipment and receiver.

Consult your Rockford Fosgate dealer.

©2019 Rockford Corporation. All Rights Reserved. PUNCH® and associated logos where applicable, are registered trademarks of Rockford Corporation in the United States and/or other countries. iPhone and iPod are trademarks of Apple Inc., registered in the U.S. and other countries. The Bluetooth® word mark and logos are registered trademarks owned by Bluetooth SIG, Inc. and any use of such marks by Rockford Corporation is under license. All other trademarks are the property of their respective owners. Specifications subject to change without notice.

"Made for iPod" and "Made for iPhone" mean that an electronic accessory has been designed to connect specifically to iPod, or iPhone, respectively, and has been certified by the developer to meet Apple performance standards. Apple is not responsible for the operation of this device or its compliance with safety and regulatory standards. Please note that the use of this accessory with iPod or iPhone may affect wireless performance.

Pandora, the Pandora logo, and the Pandora trade dress are trademarks or registered trademarks of Pandora Media, LLC. Used with permission. Pandora is only available in certain countries. Please visit <http://www.pandora.com/legal> for more information.

Sirius, XM and all related marks and logos are trademarks of Sirius XM Radio Inc. All rights reserved.

Model	PMX-HD9813																
Operating Voltage	10.5V - 16V																
Fuse Rating	20A																
Power Output	25 W X 4 @ 4 Ohms RMS 50 W x 4 @ 2 Ohms Peak																
Max. RCA Output Voltage	4V																
Output Impedance	500Ω																
Frequency Response	20 - 20kHz																
FM Frequency Range	87.5MHz - 107.9MHz																
AM Frequency Range	530kHz - 1710kHz																
Tuner Presets	18 FM / 12 AM																
Clock	12:00/24Hour																
Display	3" Color TFT																
Bluetooth	3.0+EDR, A2DP 1.3																
USB Compatibility	2.0 (FAT file Systems)																
USB Capacity	32 GB max, 255 Folders max, 999 Songs max																
USB Output	1.5A																
Made for iPhone Model Names-	<table border="0"> <tr> <td>iPhone XS Max</td> <td>iPhone 7</td> </tr> <tr> <td>iPhone XS</td> <td>iPhone 6s Plus</td> </tr> <tr> <td>iPhoneXR</td> <td>iPhone 6s</td> </tr> <tr> <td>iPhone X</td> <td>iPhone 6 Plus</td> </tr> <tr> <td>iPhone 8 Plus</td> <td>iPhone 6</td> </tr> <tr> <td>iPhone 8</td> <td>iPhone 5S</td> </tr> <tr> <td>iPhone 7 Plus</td> <td>iPhone 5C</td> </tr> <tr> <td></td> <td>iPhone 5</td> </tr> </table>	iPhone XS Max	iPhone 7	iPhone XS	iPhone 6s Plus	iPhoneXR	iPhone 6s	iPhone X	iPhone 6 Plus	iPhone 8 Plus	iPhone 6	iPhone 8	iPhone 5S	iPhone 7 Plus	iPhone 5C		iPhone 5
iPhone XS Max	iPhone 7																
iPhone XS	iPhone 6s Plus																
iPhoneXR	iPhone 6s																
iPhone X	iPhone 6 Plus																
iPhone 8 Plus	iPhone 6																
iPhone 8	iPhone 5S																
iPhone 7 Plus	iPhone 5C																
	iPhone 5																
Made for iPod Model Names-	iPod touch (5th & 6th generations)																
Android Compatibility	Bluetooth® Only																
Audio File Compatibility	MP3 & WMA																
Certifications	ASTM D4329 IPX6 (Front Face) IPX4 (Rear Chassis) CISPR25 Class 3 EMI FCC, CE RED, IC RCM																
Compatibility	2006-2013 Street Glide 1998-2013 Road Glide 1998-2013 Electra Glide Not compatible with factory equipped CB, Headset, Satellite radio systems or Rear Volume Controls																



CEA 2006

Power ratings on Rockford Fosgate source units conform to CEA-2006 industry standards. These guidelines mean your source unit's output power ratings are REAL POWER numbers, not inflated marketing ratings.

SRC (Power) Button

This button allows you to switch between sources and power the unit ON and OFF.

Rotary Encoder

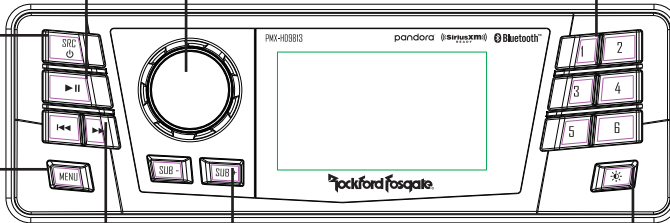
This knob is for adjusting main volume, menu navigation and setting adjustments.

PLAY / PAUSE button

Press this button to play or pause your music. This button also acts as a MUTE when the source is in AUX & TUNER mode.

PRESET buttons

These buttons allow you to set presets and allow quick access to them once set. Press and hold to retain the channel and press to recall the channel.



illus.-1.1

MENU button

Press & hold for 5 seconds to access the main menu settings. Pressing will give you access to the settings for the active source.

SUB Buttons

These buttons allow you to adjust the subwoofer output UP or DOWN (0-20).

REV / FWD button

Use this button to skip back and forward through channels or tracks with a press. Holding the button down will activate manual seek mode.

DIMMER button

Pressing this button will allow you to select between the two brightness values for the display.

Contents

Source Unit	Installation & Operation Manual
RCA Output Harness	

Installation Considerations

The following is a basic list of tools needed for installation:

Volt/Ohm meter	T-25 Torx Bit
Battery post wrench	3/16" Allen Wrench

If you feel unsure about installing this system yourself, have it installed by a qualified Rockford Fosgate dealer.

Before installation, disconnect the battery negative (-) terminal to prevent damage to the unit, fire and/or possible injury.

For your specific radio installation, please refer to www.rockfordfosgate.com/products/details/pmx-hd9813 for more information.

If installing this unit in a motorcycle that no longer has the factory radio harness and connectors or if adding rear speakers to a motorcycle not equipped with them, please contact Rockford Fosgate to purchase the harness (part # 1130-7297-01).

Mounting

This unit is a direct plug and play replacement for the factory radio.

Using your Torx tool, remove the fairing screws securing the outer fairing to the bike. This will give you access to the factory radio.

Remove the (4) factory screws that are holding the radio in place using the 3/16" allen tool. There are (2) on each side.

Carefully unplug the factory harness and antenna from the back of the factory radio.

Remove the radio by pulling it towards the front of the motorcycle.

Slide the PMX-HD9813 source unit into the factory radio mounting hole and secure with existing factory fasteners.

Plug the factory harness and antenna into the back of the new unit.

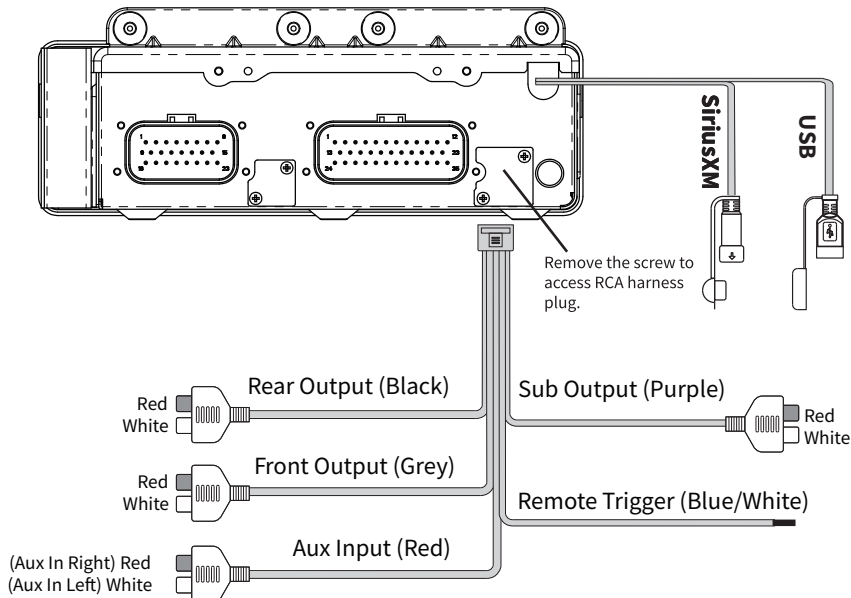
If using a non Rockford Fosgate amplifier, plug the RCA harness into the remaining socket. See illus-1.2.

If using an AUX to plug into the unit, plug the RCA harness into the remaining socket. See illus - 1.2.

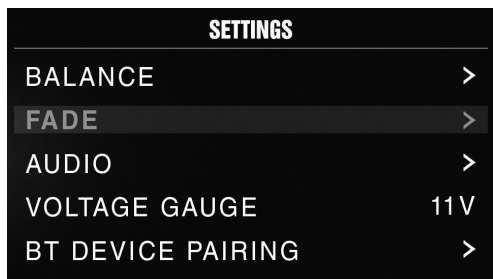
If installing a SiriusXM Connect Tuner and antenna, you must plug the SXV300 tuner into the SiriusXM port. See illus 1.2

If using the Rockford Fosgate amplified kit, please refer to the video on www.rockfordfosgate.com/motorcycle

Reinstall the fairing onto the bike.



illus.-1.2



Source Unit Settings

To access the source unit's settings, press and hold the MENU button until the options appear. Rotate the encoder to scroll through the list of settings and then press the encoder button to select the setting you wish to change. (BALANCE>FADER>AUDIO>VOLTAGE GAUGE>BT PAIRING>BEEP>TUNER REGION>SOFTWARE>THEME>REMOTE SETUP>CLOCK/DATE>FACTORY DEFAULT)

BALANCE

Press the encoder button to access BALANCE adjustment settings. Rotate the encoder button to set output BALANCE.

FADER

Press the encoder button to access FADER adjustment settings. Rotate the encoder button to set output FADER.

AUDIO

To access the AUDIO settings, press the AUDIO option from the MENU screen. Rotate the encoder to scroll through the list of settings and then press the encoder button to select the setting you wish to change. (7 BAND EQ>CROSSOVER>PEQ>REAR RCA>AUX INPUT>SOURCE GAIN>INTERNAL AMPLIFIER)

7 BAND EQ

Press the encoder button to access the 7 BAND EQ settings. Use the rotary encoder to scroll through the EQ settings. (FLAT > ROCK > CLASSIC > ACOUSTIC > DANCE > ELECTRONIC > HIP-HOP > CUSTOM) When setting up the CUSTOM EQ, press the encoder button to set the first frequency. Once active, rotate the encoder to adjust the frequency settings. Press encoder button again to access the next frequency. Repeat until all EQ settings are complete. Press the MENU button to exit and go back up one level.

CROSSOVER

Press to access the CROSSOVER settings. Use the rotary encoder to select the crossover zone options (FRONT>REAR>SUB). Press the encoder to adjust the frequency of the crossover (60Hz>80Hz>120Hz>APF). Press MENU to exit and go back up one level.

PUNCH EQ

Press to access the PUNCH EQ settings. Use the rotary encoder to adjust the gain output (0-12). Press MENU to exit and go back up one level.

Punch EQ is an onboard equalizer with up to +18dB @ 45Hz and/ or up to +12dB boost at 12.5kHz

AUX INPUT

RENAME - To rename AUX, press the encoder button to set the first letter of the new name. Once active, rotate encoder to select letters. Press the encoder button again to set the next letter. Repeat until AUX has been renamed. Press MENU to exit and go back up one level.

ENABLE - Press the encoder button to access options. Rotate the encoder button to select if unit is discoverable. (ENABLE > DISABLE)

SOURCE GAIN

To adjust the level of device input gain, scroll through the inputs (FM TUNER>AM TUNER>USB>AUX1>AUX2>BLUETOOTH>PANDORA>SiriusXM>GLOBAL INPUT) to the device you want to adjust, press the encoder button to access the gain settings. Rotate the encoder button to set the level of gain (-3dB > -2dB > -1dB > 0dB > +1dB > +2dB > +3dB).

Selecting the GLOBAL INPUT option lets you adjust all source attenuation at once (0dB>-3dB>-6dB>-9dB>-12dB>-15dB>-18dB).

INTERNAL AMPLIFIER

Press to access the INTERNAL AMPLIFIER options. Use the rotary encoder to select options (ON>OFF). When using an amplifier to power your speakers, select OFF. If you are powering your speakers directly from the source unit, select the INTERNAL AMPLIFIER to ON.

VOLTAGE GAUGE

To display the vehicle voltage, press the encoder button on the VOLTAGE GAUGE option.

BT DEVICE PAIRING

Press the encoder button to access options (DISCOVERABLE > DEVICE).

DISCOVERABLE

Rotate the encoder button to select if unit is discoverable for pairing. (ENABLE > DISABLE) Once enabled, the source unit is now discoverable and ready for pairing to your mobile device. Open the Bluetooth settings on your mobile device to find the source unit labeled "Rockford PMX" and select.

DEVICE

Selecting DEVICE by pressing the encoder button will allow you to rename the source unit with up to 16 characters. This gives you the ability to have a unique name for easy identification during device pairing. Press the encoder button to select the letter to be changed and rotate the knob to change the value. Repeat process until desired name is reached.

BEEP

Press the encoder button to access the BEEP options. Rotate the encoder button to turn system beep ON/ OFF.

TUNER REGION

To adjust, press the encoder button to access. Rotate the encoder button to select the TUNER REGION of your preference. (EUROPE > USA > RUSSIA > LATIN > ASIA > JAPAN > MIDEAST > AUSTRALIA)

SOFTWARE

VERSION - Press the encoder button to display the current firmware version of the unit.

UPDATE - Press the encoder button to update the firmware. Follow the instructions on the screen when updating.

THEME

To adjust the THEME, press the encoder to access the feature. Rotate the encoder button to select the desired THEME (DAY, NIGHT, AUTO)

REMOTE SETUP FOR OPTIONAL PMX-BTUR

To access the REMOTE SETUP options, press the encoder to display the different options (HEAD UNIT INFO>PMX-BTUR SCAN>DISCONNECT>PMX-BTUR INFO> HEAD UNIT RESET).

To pair you PMX-BTUR, press any button on the remote to activate the device. Then select PMX-BTUR SCAN under the REMOTE SETUP options. Once it detects the remote, press the encoder to finish pairing. Refer to the table on page 11 for PMX-BTUR controls.

CLOCK/DATE

To adjust the CLOCK/DATE, press the encoder to access the feature. Rotate the encoder button to select CLOCK/DATE options (CLOCK/DATE SETTING>ALBUM ART DISPLAY).

CLOCK/DATE SETTING

To set the 12H/24H display preference, rotate the encoder to scroll through the time display options. Press encoder to select and keep that option.

To adjust the time, rotate the encoder to the correct hour, press the encoder to lock in hour, repeat for minutes and date.

ALBUM ART DISPLAY

Press the encoder button to select which ALBUM ART DISPLAY option you want (OFF>5S>10S>20S>ALWAYS).

FACTORY DEFAULT

AUDIO – Press the encoder button to access. Rotate the encoder button to select YES/NO. Selecting YES will reset your unit back to factory default settings.

SYSTEM - Press the encoder button to access. Rotate the encoder button to select YES/NO. Selecting YES will reset your unit back to factory default settings.

SiriusXM - Press the encoder button to access. Rotate the encoder button to select YES/NO. Selecting YES will reset your unit back to factory default settings.

Basic Operation**TURNING THE UNIT ON / OFF**

Press and hold the SRC (Power) button to turn the unit ON or OFF

ADJUSTING THE VOLUME

Rotate encoder knob left or right to desired volume level (0-40). The current volume level will be displayed during adjustment.

ADJUSTING THE SUBWOOFER OUTPUT

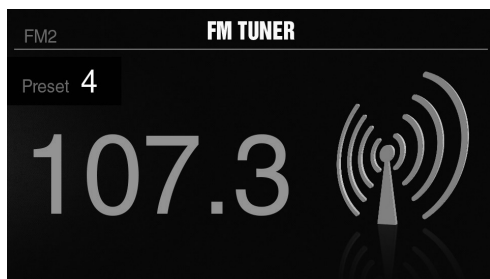
Press the SUB + or SUB- buttons to adjust the output level (0-20).

ADJUSTING THE SCREEN BRIGHTNESS

Press and hold the DIMMER button to adjust the brightness level. There are two brightness levels.

SELECTING A SOURCE TO PLAY

Press the SRC button to show the different source options (FM TUNER>AM TUNER>USB>AUX>BLUETOOTH>PANDORA>SiriusXM). Use the rotary encoder or press the SRC button to scroll through sources.

**Tuner Operation (FM/AM)**

To operate, use the rotary encoder to select the tuner source you want to listen to (FM>AM>WB).

To switch between AUTO and MANUAL SEEK modes, press and hold either the FWD or REV buttons.

To AUTO SEEK stations, press the FWD and REV buttons. To MANUAL SEEK stations, press and hold the FWD and REV buttons to tune to the desired frequency.

To MUTE the TUNER, press the PLAY/PAUSE button.

FM BAND SETTINGS

To access the FM BAND SETTINGS, press the MENU when using the FM TUNER source. This will give you access to the settings specific to the FM TUNER (FM>PRESETS>ADD PRESETS>REMOVE PRESETS>AUTO STORE>LOCAL).

PRESETS

Press the encoder button to access the PRESETS list. Using this feature allows you to see what PRESETS are saved on the unit.

ADD PRESETS

Press the encoder button on the ADD PRESETS option. You will need to be on both the station and PRESET group you want to add first (FM1>FM2>FM3). Using this feature allows you to save stations to the unit. Once selected, use the rotary encoder to select the PRESET number (1-6) you want the station saved to.

REMOVE PRESETS

Press the encoder button on the REMOVE PRESETS option. You will need to be under the PRESET group you want to adjust first (FM1>FM2>FM3). Using this feature allows you to remove saved stations on the unit. Once selected, use the rotary encoder to select the PRESET number (1-6) of the station you want removed.

FM

Press the encoder button to access the FM PRESET options (FM1>FM2>FM3). Using this feature allows you to have separate tuner preset groups to choose from. Use the rotary encoder button to scroll through the TUNER groups and press to select the group.

AUTO STORE

Press the encoder button to access the AUTO STORE function. You will need to be under the PRESET group you want to adjust first (FM1>FM2>FM3). This feature automatically stores presets on the unit. It will stop when presets 1-6 are set. Select the next PRESET group and repeat to fill next set.

LOCAL

Press the encoder button to access the LOCAL options. Once selected, use the rotary encoder to select ON or OFF. The local option tunes to nearby radio stations with sufficiently strong

Operation

signals for good reception. In areas where reception is poor, switching to distance tuning enables the unit to tune in to more distant stations. Distance tuning is the default.

AM BAND SETTINGS

To access the AM BAND SETTINGS, press the MENU when using the AM TUNER source. This will give you access to the settings specific to the AM TUNER (AM>PRESETS>ADD PRESETS>REMOVE PRESETS>AUTO STORE>LOCAL).

PRESETS

Press the encoder button to access the PRESETS list. Using this feature allows you to see what PRESETS are saved on the unit.

ADD PRESETS

Press the encoder button on the ADD PRESETS option. You will need to be on both the station and PRESET group you want to add first (AM1>AM2). Using this feature allows you to save stations to the unit. Once selected, use the rotary encoder to select the PRESET number (1-6) you want the station saved to.

REMOVE PRESETS

Press the encoder button on the REMOVE PRESETS option. You will need to be under the PRESET group you want to adjust first (AM1>AM2). Using this feature allows you to remove saved stations on the unit. Once selected, use the rotary encoder to select the PRESET number (1-6) of the station you want removed.

AM

Press the encoder button to access the FM PRESET options (AM1>AM2). Using this feature allows you to have separate tuner preset groups to choose from. Use the rotary encoder button to scroll through the TUNER groups and press to select the group.

AUTO STORE

Press the encoder button to access the AUTO STORE function. You will need to be under the PRESET group you want to adjust first (AM1>AM2). This feature automatically stores presets on the unit. It will stop when presets 1-6 are set. Select the next PRESET group and repeat to fill next set.

LOCAL

Press the encoder button to access the LOCAL options. Once selected, use the rotary encoder to select ON or OFF. The local option tunes to nearby radio stations with sufficiently strong signals for good reception. In areas where reception is poor, switching to distance tuning enables the unit to tune in to more distant stations. Distance tuning is the default.

To skip a track forward, press the FWD button. To skip a track backwards, press the REV button.

To access USB specific settings, press the MENU button for the list of settings (BROWSER>REPEAT>SHUFFLE). Use the encoder to select the option to change.

BROWSER

Press the encoder button to access the BROWSER options (PLAY LISTS>ARTISTS>ALBUMS>GENRES>SONGS>COMPOSERS>AUDIO BOOKS>PODCASTS). Using this feature allows you to search for tracks or songs by different types of categories.

To page/down, use the track forward and track backwards buttons.

REPEAT

Press the encoder button to access the REPEAT feature options (OFF>ONE>ALL).

SHUFFLE

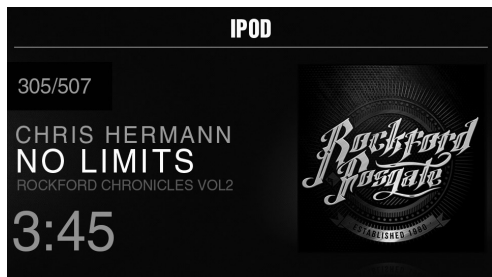
Press the encoder button to access the SHUFFLE feature options (OFF>ALL). This feature allows you to set your preference on shuffling tracks or songs.



AUX Operation

After your device is plugged into the source unit, this feature allows you to play music from your device. Select the AUX source option on the source unit and use your plugged in device to control song/track selection, PLAY/PAUSE and track skip FWD/REV.

Note: For use with USB or AUX input, an optional auxiliary input port (part# PAUX or PMX-USBP(USB only)) may be mounted in the fairsing or a storage pocket.



USB (iPod) Operation

After your device is connected to the source unit, this feature allows you to control playback from your device directly from the source unit. Select the USB source option on the source unit.

To play or pause a song, press the PLAY/PAUSE button.



Bluetooth® Operation

After your device is paired to the source unit, this feature allows you to control playback from your device directly from the source unit. Select the BLUETOOTH source option on the source unit.

To play or pause a song, press the PLAY/PAUSE button.

To skip a track forward, press the FWD button. To skip a track backwards, press the REV button.

To access BLUETOOTH specific settings, press the MENU button for the list of settings (BROWSER>REPEAT>SHUFFLE). Use the encoder to select the option to change.

BROWSER

Press the encoder button to access the BROWSER options (PLAY LISTS>ARTISTS>ALBUMS>GENRES>SONGS>COMPOSERS>AUDIO BOOKS>PODCASTS). Using this feature allows you to search for tracks or songs by different types of categories.

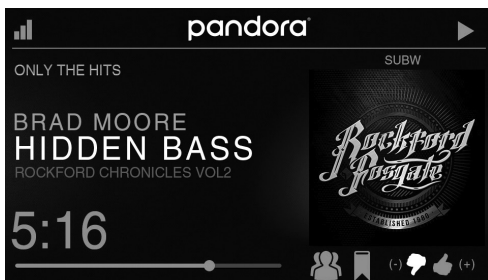
REPEAT

Press the encoder button to access the REPEAT feature options (OFF>ONE>ALL). This feature allows you to set your preference on the amount of times a track or song will repeat.

SHUFFLE

Press the encoder button to access the SHUFFLE feature options (OFF>ALL). This feature allows you to set your preference on shuffling tracks or songs.

NOTE: When the device is initially paired, the volume on the device will be roughly at half volume. You will need to turn the volume all the way up on the connected device prior to level setting. The device will remain at maximum volume after initially setting and when it re-pairs to the source unit.



Pandora®

This feature allows you to control the Pandora® app from the source unit directly (Android users will have to use Bluetooth only, iOS users can use both USB and Bluetooth). You will need to start the Pandora® app on your device first, then select the Pandora® source option on the source unit. To use the “Thumbs Up” feature, press and hold the SUB+ button. To use the “Thumbs down” feature, press and hold the SUB - button.

To play or pause a song, press the PLAY/PAUSE button.

To skip a track forward, press the FWD button.

To access Pandora® specific settings, press the MENU button for the list of settings (STATIONS>BOOKMARKS>STATIONS MANAGE). Use the encoder to select the option to change.

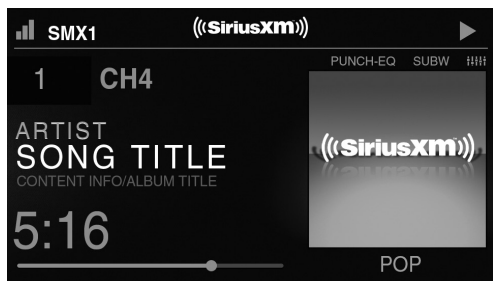
STATIONS

To adjust, press the encoder button to access. Rotate the encoder button to select your options (SHUFFLE>SORT DATE/A-Z>STATIONS). Selecting the SHUFFLE option will shuffle your stations and selecting the SORT feature will sort your stations by date added or alphabetically. You can also select your saved stations directly from this list.

BOOKMARKS

To BOOKMARK an artist or track that is playing, press the encoder button to display your BOOKMARK options (ARTIST>TRACK). Select the option you wish to use for bookmarking.

Pandora, the Pandora logo, and the Pandora trade dress are trademarks or registered trademarks of Pandora Media, LLC. Used with permission. Pandora is only available in certain countries. Please visit <http://www.pandora.com/legal> for more information.



SiriusXM® (US and Canada only)

Only SiriusXM® brings you more of what you love to listen to, all in one place. Get over 140 channels, including commercial-free music plus the best sports, news, talk, comedy and entertainment. Welcome to the world of satellite radio. A SiriusXM Connect Tuner and Subscription are required. For more information, visit www.siriusxm.com

ACTIVATING YOUR SiriusXM SUBSCRIPTION

After installing your SiriusXM Connect Tuner and antenna, power on your source unit and select SiriusXM mode. You should be able to hear the SiriusXM Preview channel on Channel 1. If you cannot hear the preview channels, please check the installation instructions to make sure your SiriusXM Connect Tuner is properly installed.

After you can hear the Preview channel, tune to Channel 0 to find the Radio ID of your tuner. In addition, the Radio ID is located on the bottom of the SiriusXM Connect Tuner and its packaging. You will need this number to activate your subscription. Write the number down for reference.

Note: the SiriusXM Radio ID does not include the letters I, O, S or F.

In the USA, you can activate online or by calling SiriusXM Listener care:

Visit www.siriusxm.com/activatenow

Call SiriusXM Listener Care at 1-866-635-2349

For Canadian Subscriptions, please contact:

Visit www.siriusxm.ca/activatexm

Call XM Customer Care at 1-877-438-9677

As part of the activation process, the SiriusXM satellites will send an activation message to your tuner. When your radio detects that the tuner has received the activation message, your radio will display: "Subscription Updated". Once subscribed, you can tune to channels in your subscription plan. Note, the activation process usually takes 10 to 15 minutes, but may take up to an hour. Your radio will need to be powered on and receiving the SiriusXM signal to receive the activation message.

SETTINGS

To access the SiriusXM SETTINGS, press the MENU when using the SiriusXM source. This will give you access to the settings specific to SiriusXM (SXM>PRESETS>ADD PRESETS>REMOVE PRESETS>CHANNELS>CATEGORY).

SiriusXM PRESET BANDS (SXM)

Press the encoder button to access the SiriusXM PRESET options (SXM1>SXM2>SXM3). Using this feature allows you to have separate satellite preset groups to choose from. Use the FWD and REV buttons to scroll through the TUNER groups.

PRESETS

Press the encoder button to access the PRESETS list. Using this feature allows you to see what PRESETS are saved on the unit.

ADD PRESETS

Press the encoder button on the ADD PRESETS option. You will need to be on both the channel and PRESET group you want to add first (SXM1>SXM2>SXM3). Using this feature allows you to save channels to the unit. Once selected, use the rotary encoder to select the PRESET number (1-6) you want the channel saved to.

REMOVE PRESETS

Press the encoder button on the REMOVE PRESETS option. You will need to be under the PRESET group you want to adjust first (SXM1>SXM2>SXM3). Using this feature allows you to remove saved channels on the unit. Once selected, use the rotary encoder to select the PRESET number (1-6) of the channel you want removed.

CHANNEL

Press the encoder button on the CHANNEL option to select this feature. This feature displays a complete listing of channels.

CATEGORY

Press the encoder button on the CATEGORY option to select this feature. This feature allows you to search channels based on their CATEGORY type.

DIRECT TUNING

Press the encoder button on the DIRECT TUNING option to select this feature. This feature allows you to directly tune to a channel if you already know the channel number. Rotate the encoder until you reach the desired numeral and press to enter your selection. Repeat until the channel number is completed.

PARENTAL CONTROLS

Press the encoder button on the PARENTAL CONTROL option to select this feature. This feature allows you to easily lock and unlock channels with mature content. To turn this feature on, press the encoder on PARENTAL CONTROLS to select. You will be asked to enter a code to activate it. Enter "1111" for your code. Once the code is entered correctly, this will give you access to the PARENTAL CONTROL features (LOCK CHANNELS>CHANGE MY CODE). Use the encoder knob to scroll through the options and press to select.

LOCK CHANNELS

Press the encoder button on the LOCK CHANNELS option to select this feature. This feature allows you to select certain channels to be locked out for listening. When trying to listen to locked channels, you will need to enter the correct access code to listen to them. Use the rotary encoder to input code.

CHANGE MY CODE

Press the encoder button on the CHANGE MY CODE option to reset the PARENTAL CONTROL access code. Use the rotary encoder to input the code.

Phone Control		PMX-HD9813 Control									
		USB/MP3/WMA		AUX-IN		iPhone/iPod		BT Audio		SiriusXM	
Short Press	Long Press	Short Press	Long Press	Short Press	Long Press	Short Press	Long Press	Short Press	Long Press	Short Press	Long Press
Volume +	Ramp Volume +	Volume +	Ramp Volume +	Volume +	Ramp Volume +	Volume +	Ramp Volume +	Volume +	Ramp Volume +	Volume +	Ramp Volume +
Volume -	Ramp Volume -	Volume -	Ramp Volume -	Volume -	Ramp Volume -	Volume -	Ramp Volume -	Volume -	Ramp Volume -	Volume -	Ramp Volume -
Play / Pause	Hands Free *	Play / Pause (Enter)		MUTE (Enter)		Play / Pause (Enter)		MUTE (Enter)		MUTE (Enter)	
Previous	Rewind	Previous	Rewind	Previous	Rewind	Previous	Rewind	Previous	Rewind	Previous	Rewind
Next	Fast Forward	Next	Fast Forward	Next	Fast Forward	Next	Fast Forward	Next	Fast Forward	Next	Fast Forward
Call Answer * / Call Hang Up *	Call Reject * / Siri *	SRC / Power On	Power Off	SRC / Power On	Power Off	SRC / Power On	Power Off	SRC / Power On	Power Off	SRC / Power On	Power Off

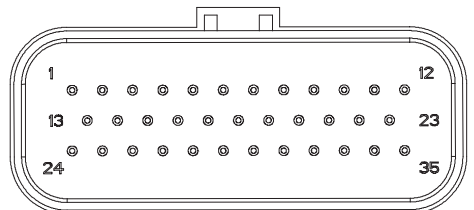
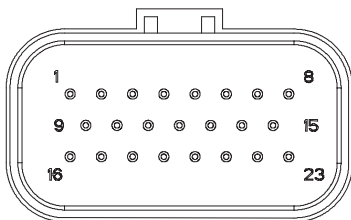
* iOS Only

23 Pin Pigtail (PIN SIDE)

PIN #	WIRE DEFINITION
1	FR- SPEAKER
10	12V+
11	GROUND
12	ACCESSORY
16	FL+ SPEAKER
17	FL- SPEAKER
18	FR+ SPEAKER
19	GROUND
20	12V+

35 Pin Pigtail (PIN SIDE)

PIN #	WIRE DEFINITION
1	RR + SPEAKER
2	RL + SPEAKER
24	RR - SPEAKER
25	RL - SPEAKER



Troubleshooting

Symptom / Advisory	Diagnosis	Remedy
Basic		
Source unit does not turn on.	Blown fuse	Check fuse of the unit, replace with correct rating.
	Motorcycle's ignition is off	If connected following the instructions, the unit will not operate with ignition off.
	Voltage applied to Red wire is not between 10.5 & 16 volts or there is no voltage present	Check battery, connections and fuses and repair or replace as necessary. If voltage is above +16 volts, have the electrical system inspected by an authorized service center.
	Unit is not properly grounded	Check wiring and repair as necessary.
Radio Tuner		
Tuner fails to tune any stations	No antenna or disconnected or open connection in cable	Check all connections and repair as necessary.
Unable to tune stations in seek mode	You are in a weak signal area	Make sure the tuner LOC mode is off. Add optional antenna (part # PMX-ANT)
USB Devices		
USB device cannot be inserted	The USB device has been inserted in the wrong direction	Reversing the connection direction of the USB device, try reinserting.
	The USB device connector is broken	Replace with a new USB device.
USB device is not recognized	The USB device is damaged	Disconnect USB device and reconnect. If the device is still not recognized, try replacing with a different USB device. USB does not work with Android devices.
	Connectors are loose	
No sound heard with the display "No File" shown	No MP3/WMA files are stored on the USB device	Store these files properly on the USB device. USB does not work with Android devices.
Sound skips or is noisy	MP3/WMA files are not created properly	Use MP3/WMA files that are encoded correctly.
AUX		
MP3 is not playing back	Writing error occurred. The MP3 format is not compatible.	Make sure MP3 has been written in a supported format
Bluetooth		
Bluetooth source volume is lower than other sources	Bluetooth from device is not at maximum volume	Turn the volume on the device to maximum level

SiriusXM		
Check Antenna	The radio has detected a fault with the SiriusXM antenna. The antenna cable may be either disconnected or damaged.	<p>Verify that the antenna cable is connected to the SiriusXM Connect Tuner</p> <p>Inspect the antenna cable for damage and kinks. Replace the antenna if the cable is damaged.</p> <p>SiriusXM products are available at your local car audio retailer or online at www.shop.siriusxm.com</p>
Check Tuner	The radio is having difficulty communicating with the SiriusXM Connect Tuner. The tuner may be disconnected or damaged.	<p>Verify that the SiriusXM Connect Tuner cable is securely connected to the radio</p>
No Signal	The SiriusXM Connect Tuner is having difficulty receiving the SiriusXM satellite signal.	<p>Verify that your vehicle is outdoors with a clear view of the sky.</p> <p>Verify that the SiriusXM magnetic mount antenna is mounted on a metal surface on the outside of the vehicle.</p> <p>Move the SiriusXM antenna away from any obstructions.</p> <p>Inspect the antenna cable for damage and kinks.</p> <p>Consult the SiriusXM Connect Tuner installation manual for more information on antenna installation. Replace the antenna if the cable is damaged. SiriusXM products are available at your local car audio retailer or online at www.shop.siriusxm.com.</p>
Subscription Updated	The radio has detected a change in your SiriusXM subscription status. Press the encoder button to clear the message.	<p>Visit www.siriusxm.com or call 866-635-2349 in the USA or 877-438-9677 in Canada if you have questions about your subscription.</p>
Channel Not Available	The channel that you have requested is not a valid SiriusXM channel or the channel that you were listening to is no longer available. You may also see this message briefly when first connecting a new SiriusXM Connect Tuner.	<p>Visit www.siriusxm.com for more information about the SiriusXM channel lineup.</p>
Channel Not Subscribed	The channel that you have requested is not included in your SiriusXM subscription package or the channel that you were listening to is no longer included in your SiriusXM subscription package.	<p>Visit www.siriusxm.com or call 866-635-2349 in the USA or 877-438-9677 in Canada if you have questions about your subscription package or would like to subscribe to this channel.</p>
Channel Locked	The channel that you have requested is Locked by the radio Parental Control feature. See page 10 for more information on the Parental Control feature and how to access locked channels.	

Bouton SRC (Alimentation)

Ce bouton permet de commuter entre les sources (pression courte) et d'activer et de désactiver l'appareil (pression longue).

Encodeur rotatif

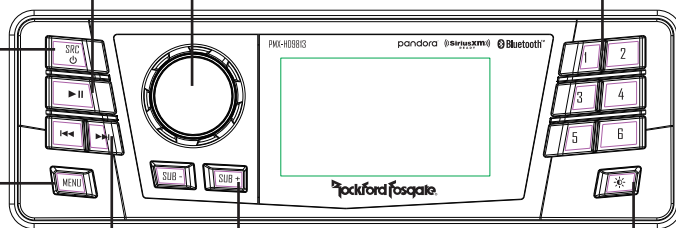
Ce bouton sert à ajuster le volume principal, la navigation du menu et les réglages des paramètres.

Bouton PLAY/PAUSE (LECTURE/PAUSE)

Appuyer sur ce bouton pour jouer ou pauser la musique. Ce bouton sert aussi de VEILLEUSE quand la source est AUX et TUNER.

Boutons PRESET (STATIONS PRÉRÉGLÉES)

Ces boutons permettent de régler les stations préréglées et d'y accéder rapidement une fois réglées. Une simple pression longue pour retenir la station et une pression courte pour rappeler la station.



Bouton MENU

Appuyer longuement sur ce bouton pour avoir accès aux paramètres principaux de l'appareil. Appuyer dessus brièvement pour avoir accès aux paramètres pour la source active.

Boutons SUB

Ces boutons permettent d'ajuster la sortie du subwoofer ou la ligne arrière vers le haut ou vers le bas (0-20).

Bouton REV/FWD

Utiliser ce bouton pour sauter en arrière et en avant parmi les chaînes ou les pistes avec une pression courte. Une pression longue activera le mode de recherche manuelle.

Bouton DIMMER (GRADATEUR)

Appuyer sur ce bouton pour sélectionner entre les valeurs de luminosité de l'affichage.

Contenu

Unité source	Manuel d'installation et d'exploitation
Faisceau de sortie RCA	

Considérations d'installation

Voici une liste de base des outils nécessaires pour l'installation :

Voltmètre/Ohmmètre	Embout Torx T-25
Clé de borne de batterie	Clé Allen 3/16"

Cette section se concentre sur certaines des considérations automobiles pour l'installation de la nouvelle unité source. Pré-planifier l'aménagement du système et les meilleures voies de câblage fera gagner du temps en installation. Lors de la décision de l'aménagement du nouveau système, s'assurer que chaque composant soit facilement accessible pour effectuer des réglages.

En cas de question sur l'installation de ce système soi-même, le faire installer par un technicien qualifié Audio Rockford.

Avant l'installation, débrancher la borne négative (-) de la batterie pour prévenir tout dommage matériel, tout incendie et/ou des blessures éventuelles.

Avant de commencer toute installation, suivre ces simples règles :

Faire attention de lire attentivement et de comprendre les instructions avant de tenter l'installer l'unité.

Par mesure de sécurité, débrancher le fil négatif de la batterie avant de commencer l'installation.

Pour faciliter l'assemblage, il est conseillé d'acheminer tous les fils avant de monter l'unité en place.

Acheminer tous les câbles RCA près des uns des autres et à l'écart des fils à haute intensité.

Utiliser des connecteurs de haute qualité pour une installation fiable et pour minimiser la perte de signal ou d'alimentation.

Penser avant de percer ! Faire attention de ne pas couper ni percer dans les réservoirs à essence, les canalisations de carburant, les conduites de freins ou conduites hydrauliques, les lignes de vide ou le câblage électrique lors de toute opération sur un véhicule.

Ne jamais acheminer les fils sous le véhicule. Acheminer les fils à l'intérieur du véhicule fournit la meilleure protection.

Éviter d'acheminer les fils sur ou à travers des bords coupants. Utiliser des œillets en caoutchouc ou en plastique pour protéger les fils acheminés dans du métal, en particulier le pare-feu.

TOUJOURS protéger la batterie et le système électrique de tout dommage grâce à des fusibles appropriés. Installer le porte-fusible approprié et le fusible sur le fil d'alimentation de +12 V dans les 45,cm (18 po) de la borne de batterie.

Lors de la mise à la terre au châssis du véhicule, gratter toute peinture du métal pour assurer une bonne connexion à la masse propre. Les raccordements de mise à la terre doivent être aussi courts que possible et toujours connectés au métal qui est soudé au corps principal, ou au châssis, du véhicule. Les bouclons de ceinture de sécurité ne doivent jamais être utilisés pour raccorder à la terre.

Montage

Cette unité est un remplacement prêt-à-l'emploi direct pour la radio d'origine.

À l'aide de l'outil Torx, retirer les vis de carénage sécurisant les carénage externe à la moto. Ceci permettra l'accès à la radio d'origine.

Retirer les (4) vis d'usine qui maintiennent la radio en place à l'aide de l'outil Allen 3/16". Il y en a (2) de chaque côté.

Débrancher soigneusement le faisceau et l'antenne d'origine du dos de la radio d'origine.

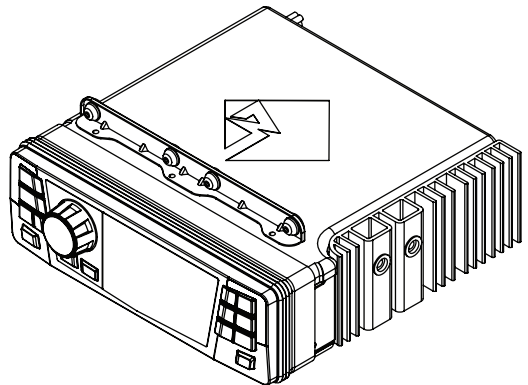
Retirer la radio en la tirant vers l'avant de la moto.

Faire glisser l'unité source dans le trou de montage de la radio d'origine et sécuriser avec les fixations d'origine existantes.

Brancher le faisceau et l'antenne d'origine dans le dos de la nouvelle unité.

Si on utilise un amplificateur autre que Rockford Fosgate, brancher le faisceau RCA dans la douille restante.

Remonter le carénage sur la moto.



Paramètres de l'unité source

Pour accéder aux paramètres de l'unité source, appuyer longuement sur le bouton MENU jusqu'à affichage des options. Faire pivoter l'encodeur pour faire défiler la liste des paramètres et effectuer une pression courte sur le bouton d'encodeur pour sélectionner le paramètre que l'on souhaite modifier. (BALANCE>FADER>AUDIO>VOLTAGE GAUGE>BT PAIRING>BEEP>TUNER REGION>SOFTWARE>THEME>REMOTE SETUP>CLOCK/DATE>FACTORY DEFAULT)

BALANCE

Appuyer brièvement sur le bouton d'encodeur pour accéder aux paramètres de réglage de BALANCE. Faire pivoter le bouton d'encodeur pour régler la BALANCE de sortie.

FADER

Appuyer brièvement sur le bouton d'encodeur pour accéder aux paramètres de réglage du FADER. Faire pivoter le bouton d'encodeur pour régler le FADER de sortie.

AUDIO

Pour accéder aux paramètres AUDIO, effectuer une pression courte sur l'option AUDIO à partir de l'écran MENU. Faire pivoter l'encodeur pour faire défiler la liste des paramètres et effectuer une pression courte sur le bouton d'encodeur pour sélectionner le paramètre que l'on souhaite modifier. (7 BAND EQ>CROSSOVER>PEQ>REAR RCA>AUX INPUT>SOURCE GAIN>INTERNAL AMPLIFIER)

7 BAND EQ

Appuyer brièvement sur le bouton d'encodeur pour accéder aux paramètres 7 BAND EQ. Utiliser l'encodeur rotatif pour faire défiler les paramètres EQ. (FLAT > ROCK > CLASSIC > ACOUSTIC > DANCE > ELECTRONIC > HIP-HOP > CUSTOM) Lors de la configuration du CUSTOM EQ, effectuer une pression courte sur le bouton d'encodeur pour régler la première fréquence. Une fois activé, faire pivoter l'encodeur pour ajuster les paramètres de fréquence. Effectuer une autre pression courte sur le bouton d'encodeur pour accéder à la fréquence prochaine. Répéter jusqu'à ce que tous les paramètres EQ soient terminés. Appuyer brièvement sur le bouton MENU pour quitter et revenir d'un niveau en arrière.

CROISEMENT

Appuyer brièvement pour accéder aux paramètres de CROISEMENT. Utiliser l'encodeur rotatif pour sélectionner les options de zones de croisement (FRONT>REAR>SUB). Effectuer une courte pression sur l'encodeur pour ajuster la fréquence du croisement (60 Hz>80 Hz>120 Hz>APF). Appuyer brièvement sur le bouton MENU pour quitter et revenir d'un niveau en arrière.

PUNCH EQ

Appuyer brièvement pour accéder aux paramètres de PUNCH EQ. Utiliser l'encodeur rotatif pour ajuster la sortie de gain (0-12). Appuyer brièvement sur le bouton MENU pour quitter et revenir d'un niveau en arrière.

Punch EQ est un égaliseur embarqué avec un amplificateur maximum de +18 dB à 45 Hz et/ou de +12 dB à 12,5 kHz

ENTRÉE AUX

RENOMMER – Pour renommer AUX, appuyer brièvement sur le bouton d'encodeur pour régler la première lettre du nouveau nom. Une fois activé, faire tourner l'encodeur pour ajuster les lettres. Effectuer une autre pression courte sur le bouton d'encodeur pour régler la prochaine lettre. Répéter jusqu'à ce que AUX ait été renommé. Appuyer brièvement sur le bouton MENU pour quitter et revenir d'un niveau en arrière.

ACTIVER - Appuyer brièvement sur le bouton d'encodeur pour accéder aux options. Faire tourner le bouton d'encodeur pour sélectionner si l'unité est découvrable. (ENABLE > DISABLE)/ (ACTIVER>DÉSACTIVER)

GAIN SOURCE

Pour ajuster le niveau du gain d'entrée de périphérique, faire défiler les entrées (FM TUNER>AM TUNER>USB>AUX1>AUX2>BLUETOOTH>PANDORA>SiriusXM>GLOBAL INPUT) jusqu'au périphérique que l'on souhaite ajuster, appuyer brièvement le bouton d'encodeur pour accéder aux paramètres de gain. Faire tourner le bouton d'encodeur pour régler le niveau de gain (-3dB > -2dB > -1dB > 0dB > +1dB > +2dB > +3dB).

Sélectionner l'option ENTRÉE GLOBALE permet d'ajuster toute l'atténuation source en une seule fois (0dB>-3dB>-6dB>9dB>-12dB>-15dB>-18dB).

AMPLIFICATEUR INTERNE

Appuyer brièvement pour accéder aux options AMPLIFICATEUR INTERNE. Utiliser l'encodeur rotatif pour sélectionner les options (ON>OFF). Lors de l'utilisation d'un amplificateur pour alimenter les haut-parleurs, sélectionner OFF. Si on alimente les haut-parleurs directement de l'unité source, sélectionner l'AMPLIFICATEUR INTERNE sur ON.

INDICATEUR DE TENSION

Pour afficher la tension du véhicule, appuyer brièvement sur le bouton d'encodeur sur l'option INDICATEUR DE TENSION.

APPARIAGE DE PÉRIPHÉRIQUE BT

Appuyer brièvement sur le bouton d'encodeur pour accéder aux options (DÉCOUVRABLE > PÉRIPHÉRIQUE).

DÉCOUVRABLE

Faire tourner le bouton d'encodeur pour sélectionner si l'unité est découvrable pour appairage. (ENABLE > DISABLE) Une fois activé, l'unité source est désormais découvrable et prête pour appairage au périphérique. Ouvrir les paramètres Bluetooth sur le périphérique pour trouver l'unité source étiquetée « Rockford PMX » et sélectionner.

PÉRIPHÉRIQUE

Sélectionner PÉRIPHÉRIQUE en appuyant rapidement sur le bouton d'encodeur permettra de donner un autre nom à l'unité source avec un maximum de 16 caractères. Ceci donne la possibilité d'avoir un nom unique pour identifier facilement pendant l'appairage du périphérique. Appuyer rapidement sur le bouton d'encodeur pour sélectionner la lettre à changer et faire tourner le bouton pour changer la valeur. Répéter le processus jusqu'à obtention du nom souhaité.

BIP

Appuyer brièvement sur le bouton d'encodeur pour accéder aux options BIP. Faire tourner le bouton d'encodeur pour activer/désactiver le bip du système.

RÉGION DU TUNER

Pour ajuster, appuyer brièvement sur le bouton d'encodeur pour accéder. Faire tourner le bouton d'encodeur pour sélectionner la RÉGION DU TUNER de préférence. (EUROPE > USA > RUSSIE > AMÉRIQUE LATINE > ASIE > JAPON > MOYEN-ORIENT > AUSTRALIE)

LOGICIEL

VERSION - Appuyer brièvement sur le bouton d'encodeur pour afficher la version de logiciel actuelle de l'unité.

MISE À JOUR - Appuyer brièvement sur le bouton d'encodeur pour mettre le logiciel à jour. Suivre les instructions à l'écran pour mettre à jour.

THÈME

Pour ajuster le THÈME, appuyer brièvement sur l'encodeur pour accéder à la fonction. Faire tourner le bouton d'encodeur pour sélectionner le THÈME (JOUR, NUIT, AUTO) souhaité.

CONFIGURATION DE LA TÉLÉCOMMANDE

Pour accéder aux options CONFIGURATION DE LA TÉLÉCOMMANDE, appuyer brièvement sur l'encodeur pour afficher les différentes options (HEAD UNIT INFO>PMX-BTUR SCAN>DISCONNECT>PMX-BTUR INFO> HEAD UNIT RESET).

Pour appairer le PMX-BTUR, appuyer sur n'importe quel bouton sur la télécommande pour activer le périphérique. Ensuite, sélectionner PMX-BTUR SCAN sous les options CONFIGURATION DE LA TÉLÉCOMMANDE. Une fois qu'il détecte la télécommande, appuyer brièvement sur l'encodeur pour finir l'appairage.

HORLOGE/DATE

Pour ajuster HORLOGE/DATE, appuyer brièvement sur l'encodeur pour accéder à la fonction. Faire tourner le bouton d'encodeur pour sélectionner les options HORLOGE/DATE (CLOCK/DATE SETTING>ALBUM ART DISPLAY).

PARAMÈTRES HORLOGE/DATE

Pour configurer la préférence d'affichage 12H/24H, faire tourner l'encodeur pour faire défiler les options d'affichage de l'heure. Appuyer sur l'encodeur pour sélectionner et conserver cette option.

Pour ajuster l'heure, faire tourner l'encodeur sur l'heure correcte, appuyer sur l'encodeur pour verrouiller l'heure, répéter pour les minutes et la date.

AFFICHAGE DE POCHETTES D'ALBUM

Appuyer brièvement le bouton d'encodeur pour sélectionner quelle option AFFICHAGE DE POCHETTES D'ALBUM que l'on souhaite (OFF>5S>10S>20S>ALWAYS).

Réglage d'usine

AUDIO - Appuyer brièvement sur le bouton d'encodeur pour accéder. Faire pivoter le bouton d'encodeur pour sélectionner YES/NO (OUI/NON). Sélectionner YES/OUI pour remettre l'unité aux réglages d'usine.

SYSTÈME - Appuyer brièvement sur le bouton d'encodeur pour accéder. Faire pivoter le bouton d'encodeur pour sélectionner YES/NO (OUI/NON). Sélectionner YES/OUI pour remettre l'unité aux réglages d'usine.

SiriusXM - Appuyer brièvement sur le bouton d'encodeur pour accéder. Faire pivoter le bouton d'encodeur pour sélectionner YES/NO (OUI/NON). Sélectionner YES/OUI pour remettre l'unité aux réglages d'usine.

Fonctionnement de base

ACTIVER/DÉSACTIVER L'UNITÉ

Appuyer longuement sur le bouton SRC (Alimentation) pour ACTIVER ou DÉSACTIVER l'unité

RÉGLAGE DU VOLUME

Faire tourner le bouton d'encodeur vers la gauche ou vers la droite au niveau de volume souhaité (0-40). Le niveau de volume actuel s'affiche pendant le réglage.

RÉGLAGE DE LA SORTIE DU SUBWOOFER

Appuyer sur le bouton SUB + ou SUB- pour régler le niveau de

sortie (0-20).

RÉGLAGE DE LA LUMINOSITÉ DE L'ÉCRAN

Appuyer longuement sur le bouton DIMMER / GRADATEUR pour ajuster le niveau de luminosité. Il existe deux niveaux de luminosité.

SÉLECTIONNER UNE SOURCE À JOUER

Appuyer brièvement sur le bouton SRC pour afficher les différentes options de source (FM TUNER>AM TUNER>USB>AUX>BLUETOOTH>PANDORA>SiriusXM). Utiliser l'encodeur rotatif ou appuyer brièvement sur le bouton SRC pour faire défiler les sources.

Fonctionnement du tuner (FM/AM)

Pour faire fonctionner, utiliser l'encodeur rotatif pour sélectionner la source de tuner que l'on souhaite écouter (FM>AM).

Pour RECHERCHER AUTOMATIQUEMENT des stations, appuyer brièvement sur les boutons FWD et REV. Pour RECHERCHER MANUELLEMENT des stations, appuyer longuement sur les boutons FWD et REV pour régler à la fréquence souhaitée.

Pour mettre le TUNER en VEILLEUSE, appuyer brièvement sur le bouton PLAY/PAUSE.

PARAMÈTRES DE BANDE FM

Pour accéder aux PARAMÈTRES DE BANDE FM, appuyer brièvement sur le MENU lors de l'utilisation de source FM TUNER. Ceci donnera accès aux paramètres spécifiques au FM TUNER (FM>PRESETS>ADD PRESETS>REMOVE PRESETS>AUTO STORE>LOCAL).

STATIONS PRÉRÉGLÉES

Appuyer brièvement sur le bouton d'encodeur pour accéder à la liste des STATIONS PRÉRÉGLÉES. Utiliser cette fonction pour voir quelles STATIONS PRÉRÉGLÉES sont sauvegardées sur l'unité.

ADD PRESETS (AJOUTER DES STATIONS PRÉRÉGLÉES)

Appuyer brièvement sur le bouton d'encodeur pour accéder à l'option ADD PRESETS. Il faudra se trouver sur la station et sur le groupe des STATIONS PRÉRÉGLÉES que l'on souhaite ajouter en premier (FM1>FM2>FM3). Utiliser cette fonction pour pouvoir sauvegarder des stations sur l'unité. Une fois sélectionnée, utiliser l'encodeur rotatif pour sélectionner le numéro de STATION PRÉRÉGLÉE (1-6) sur lequel on souhaite sauvegarder la station.

REMOVE PRESETS (SUPPRIMER DES STATIONS PRÉRÉGLÉES)

Appuyer brièvement sur le bouton d'encodeur sur l'option SUPPRIMER DES STATIONS PRÉRÉGLÉES. Il faudra se trouver sous le groupe des STATIONS PRÉRÉGLÉES que l'on souhaite ajuster en premier (FM1>FM2>FM3). Utiliser cette fonction pour pouvoir supprimer des stations sauvegardées sur l'unité. Une fois sélectionnée, utiliser l'encodeur rotatif pour sélectionner le numéro de STATION PRÉRÉGLÉE (1-6) de la station que l'on souhaite supprimer.

FM

Appuyer brièvement sur le bouton d'encodeur pour accéder aux options STATIONS PRÉRÉGLÉES FM (FM1>FM2>FM3). Utiliser cette fonction permet d'avoir des groupes de stations préréglées de tuner séparés parmi lesquels choisir. Utiliser le bouton d'encodeur rotatif pour faire défiler les groupes de TUNER et appuyer brièvement pour sélectionner le groupe.

AUTO STORE (SAUVEGARDE AUTOMATIQUE)

Appuyer brièvement sur le bouton d'encodeur pour accéder à la fonction SAUVEGARDE AUTOMATIQUE. Il faudra se trouver sous le groupe des STATIONS PRÉRÉGLÉES que l'on souhaite ajuster en premier (FM1>FM2>FM3). Cette fonction sauvegarde

Fonctionnement

automatiquement les stations préréglées sur l'unité. Cela s'arrêtera lorsque les stations préréglées 1-6 sont réglées. Sélectionner le prochain groupe de STATIONS PRÉRÉGLÉES et répéter pour remplir le jeu prochain.

LOCAL

Appuyer brièvement sur le bouton d'encodeur pour accéder aux options LOCAL. Une fois sélectionnée, utiliser l'encodeur rotatif pour sélectionner ON ou OFF. L'option LOCAL se règle sur les stations de radio proches avec des signaux suffisamment forts pour une bonne réception. Dans les zones où la réception est médiocre, passer au réglage à distance permet à l'unité de se régler dans des stations plus distantes. Le réglage à distance est le réglage d'usine.

PARAMÈTRES DE BANDE AM

Pour accéder aux PARAMÈTRES DE BANDE AM, appuyer brièvement sur le MENU lors de l'utilisation de source AM TUNER. Ceci donnera accès aux paramètres spécifiques au AM TUNER (AM>PRESETS>ADD PRESETS>REMOVE PRESETS>AUTO STORE>LOCAL).

STATIONS PRÉRÉGLÉES

Appuyer brièvement sur le bouton d'encodeur pour accéder à la liste des STATIONS PRÉRÉGLÉES. Utiliser cette fonction pour voir quelles STATIONS PRÉRÉGLÉES sont sauvegardées sur l'unité.

ADD PRESETS (AJOUTER DES STATIONS PRÉRÉGLÉES)

Appuyer brièvement sur le bouton d'encodeur pour accéder à l'option ADD PRESETS. Il faudra se trouver sur la station et sur le groupe des STATIONS PRÉRÉGLÉES que l'on souhaite ajouter en premier (AM1>AM2). Utiliser cette fonction pour pouvoir sauvegarder des stations sur l'unité. Une fois sélectionnée, utiliser l'encodeur rotatif pour sélectionner le numéro de STATION PRÉRÉGLÉE (1-6) sur lequel on souhaite sauvegarder la station.

REMOVE PRESETS (SUPPRIMER DES STATIONS PRÉRÉGLÉES)

Appuyer brièvement sur le bouton d'encodeur sur l'option SUPPRIMER DES STATIONS PRÉRÉGLÉES. Il faudra se trouver sous le groupe des STATIONS PRÉRÉGLÉES que l'on souhaite ajuster en premier (AM1>AM2). Utiliser cette fonction pour pouvoir supprimer des stations sauvegardées sur l'unité. Une fois sélectionnée, utiliser l'encodeur rotatif pour sélectionner le numéro de STATION PRÉRÉGLÉE (1-6) de la station que l'on souhaite supprimer.

AM

Appuyer brièvement sur le bouton d'encodeur pour accéder aux options STATIONS PRÉRÉGLÉES FM (AM1>AM2). Utiliser cette fonction permet d'avoir des groupes de stations préréglées de tuner séparés parmi lesquels choisir. Utiliser le bouton d'encodeur rotatif pour faire défiler les groupes de TUNER et appuyer brièvement pour sélectionner le groupe.

AUTO STORE (SAUVEGARDE AUTOMATIQUE)

Appuyer brièvement sur le bouton d'encodeur pour accéder à la fonction SAUVEGARDE AUTOMATIQUE. Il faudra se trouver sous le groupe des STATIONS PRÉRÉGLÉES que l'on souhaite ajuster en premier (AM1>AM2). Cette fonction sauvegarde automatiquement les stations préréglées sur l'unité. Cela s'arrêtera lorsque les stations préréglées 1-6 sont réglées. Sélectionner le prochain groupe de STATIONS PRÉRÉGLÉES et répéter pour remplir le jeu prochain.

LOCAL

Appuyer brièvement sur le bouton d'encodeur pour accéder aux options LOCAL. Une fois sélectionnée, utiliser l'encodeur rotatif pour sélectionner ON ou OFF. L'option LOCAL se règle sur les stations de radio proches avec des signaux suffisamment forts pour une bonne réception. Dans les zones où la réception est médiocre, passer au réglage à distance permet à l'unité de se régler dans des stations plus distantes. Le réglage à distance est le réglage d'usine.

Fonctionnement USB (iPod)

Une fois le périphérique connecté à l'unité source, cette fonction permet de contrôler la lecture à partir du périphérique directement de l'unité. Sélectionner l'option source USB sur l'unité source.

Pour jouer ou pauser une chanson, appuyer brièvement sur le bouton PLAY/PAUSE.

Pour sauter une piste vers l'avant, appuyer brièvement sur le bouton FWD. Pour sauter une piste vers l'arrière, appuyer brièvement sur le bouton REV.

Pour accéder aux paramètres spécifiques USB, appuyer brièvement sur le bouton MENU pour obtenir la liste des paramètres (BROWSER>REPEAT>SHUFFLE). Utiliser l'encodeur pour sélectionner l'option à modifier.

BROWSER (NAVIGATEUR)

Appuyer brièvement sur le bouton d'encodeur pour accéder aux options NAVIGATEUR (PLAYLISTS>ARTISTS>ALBUMS>GENRES>SONGS>COMPOSERS>AUDIOBOOKS>PODCASTS). Utiliser cette fonction permet de chercher les pistes ou chansons par différents types de catégories.

Pour aller à la page suivante, utiliser les boutons de Track avant et Track arrière.

REPEAT (RÉPÉTITION)

Appuyer brièvement sur le bouton d'encodeur pour accéder aux options de la fonction RÉPÉTITION (OFF>ONE>ALL).

SHUFFLE

Appuyer brièvement sur le bouton d'encodeur pour accéder aux options de la fonction SHUFFLE (OFF>ALL). Cette fonction permet de régler les préférences de lecture aléatoire de pistes ou de chansons.

NOTE : Lors de l'utilisation d'une rallonge USB, elle doit être alimentée Rockford Fosgate. La distance maximum pour la rallonge est de 33 pieds (10 mètres).

Fonctionnement AUX

Une fois le périphérique branché dans l'unité source, cette fonction permet de jouer de musique à partir du périphérique. Sélectionner l'option source AUX sur l'unité source et utiliser le périphérique branché pour contrôler la sélection de chansons/pistes, PLAY/PAUSE et sauter la piste FWD/REV.

Fonctionnement Bluetooth®

Une fois le périphérique appairé à l'unité source, cette fonction permet de contrôler la lecture à partir du périphérique directement de l'unité. Sélectionner l'option source BLUETOOTH sur l'unité source.

Pour jouer ou pauser une chanson, appuyer brièvement sur le bouton PLAY/PAUSE.

Pour sauter une piste vers l'avant, appuyer brièvement sur le bouton FWD. Pour sauter une piste vers l'arrière, appuyer brièvement sur le bouton REV.

Pour accéder aux paramètres spécifiques BLUETOOTH, appuyer brièvement sur le bouton MENU pour obtenir la liste des paramètres (BROWSER>REPEAT>SHUFFLE). Utiliser l'encodeur pour sélectionner l'option à modifier.

BROWSER (NAVIGATEUR)

Appuyer brièvement sur le bouton d'encodeur pour accéder aux options NAVIGATEUR (PLAYLISTS>ARTISTS>ALBUMS>GENRES>SONGS>COMPOSERS>AUDIOBOOKS>PODCASTS). Utiliser cette fonction permet de chercher les pistes ou chansons par différents types de catégories.

REPEAT (RÉPÉTITION)

Appuyer brièvement sur le bouton d'encodeur pour accéder aux options de la fonction RÉPÉTITION (OFF>ONE>ALL). Cette fonction permet de régler la préférence sur le nombre de fois qu'une piste ou qu'une chanson sera répétée.

SHUFFLE

Appuyer brièvement sur le bouton d'encodeur pour accéder aux options de la fonction SHUFFLE (OFF>ALL). Cette fonction permet de régler les préférences de lecture aléatoire de pistes ou de chansons.

NOTE : Lors de l'appairage initiale du périphérique, le volume sur le périphérique sera approximativement à la moitié du volume. Il faudra augmenter le volume au maximum sur le périphérique avant de régler le niveau. Le périphérique restera au volume maximum après le réglage initial et lors du nouvel appairage à l'unité source.

Pandora®

Cette fonction permet de contrôler l'application Pandora® à partir de l'unité source directement (les utilisateurs Android devront utiliser Bluetooth uniquement, les utilisateurs iOS peuvent utiliser à la fois USB et Bluetooth). Il faudra lancer l'application Pandora® sur le périphérique en premier, sélectionner alors l'option source Pandora® sur l'unité source. Pour utiliser la fonction « Thumbs Up », appuyer longuement sur le bouton SUB-. Pour utiliser la fonction « Thumbs down », appuyer longuement sur le bouton SUB-.

Pour jouer ou pauser une chanson, appuyer brièvement sur le bouton PLAY/PAUSE.

Pour sauter une piste vers l'avant, appuyer brièvement sur le bouton FWD.

Pour accéder aux paramètres spécifiques Pandora®, appuyer brièvement sur le bouton MENU pour obtenir la liste des paramètres (STATION>BOOKMARKS>STATIONS MANAGE). Utiliser l'encodeur pour sélectionner l'option à modifier.

STATIONS

Pour ajuster, appuyer brièvement sur le bouton d'encodeur pour accéder. Faire tourner le bouton d'encodeur pour sélectionner les options (SHUFFLE>SORT DATE/A-Z>STATIONS). Sélectionner l'option SHUFFLE pour mélanger les stations et sélectionner la fonction SORT/TRIER va trier les stations par date ajoutée ou par ordre alphabétique. Il est également possible de sélectionner les stations sauvegardées directement de cette liste.

SIGNETS

Pour METTRE EN SIGNET un artiste ou une piste qui joue, appuyer brièvement sur le bouton d'encodeur pour afficher les options BOOKMARK/SIGNETS (ARTIST>TRACK). Sélectionner l'option que l'on souhaite utiliser pour la mise en signet.

STATIONS MANAGE (GESTION DES STATIONS)

Pour créer des stations, appuyer brièvement sur le bouton d'encodeur pour afficher les options STATION MANAGE (CREATE FROM ARTIST> CREATE FROM TRACK> CREATE FROM GENRE>DELETE). Sélectionner l'OPTION CREATE FROM ARTIST (CRÉER À PARTIR DE L'ARTISTE) pour pouvoir créer une station à partir de l'artiste que l'on écoute actuellement. L'option CREATE FROM TRACK (CRÉER À PARTIR DE LA PISTE) fonctionne de la même façon en créant une station à partir de la piste actuelle jouée. Si on crée une station en sélectionnant CREATE FROM GENRE (CRÉER À PARTIR DU GENRE), ceci donnera le choix de genres de musique à sélectionner pour créer une station. Sélectionner DELETE (SUPPRIMER) pour supprimer la station qui joue maintenant.

Pandora, le logo Pandora et l'habillage Pandora sont des marques de commerce ou des marques de commerce déposées de Pandora Media, Inc. Utilisés avec permission. Pandora n'est disponible que dans certains pays. Prière de consulter <http://www.pandora.com/legal> pour de plus amples informations.

SiriusXM®

Seule la radio SiriusXM® vous offre plus que ce que vous aimez écouter, le tout en un seul endroit. Obtenez plus de 140 canaux, notamment de la musique sans publicité plus ce qu'il y a de mieux pour ce qui est des sports, actualités, émissions-débats, comédie et loisirs. Bienvenue au monde de la radio satellite. Un SiriusXM Connect Tuner et un abonnement sont requis. Pour de plus amples renseignements, consultez www.siriusxm.com

ACTIVATION DE VOTRE ABONNEMENT SiriusXM

Après l'installation du SiriusXM Connect Tuner et de l'antenne, activer l'unité source et sélectionner le mode SiriusXM. On doit pouvoir écouter la chaîne SiriusXM Preview sur la Chaîne 1. Si on ne peut pas écouter les chaînes Preview, consulter les instructions d'installation pour s'assurer que le SiriusXM Connect tuner est correctement installé.

Une fois que l'on peut écouter la chaîne Preview, régler sur la Chaîne 0 pour trouver l'ID Radio sur le tuner. En outre, l'ID Radio se situe sur le bas du SiriusXM Connect Tuner et de son emballage. On aura besoin de ce numéro pour activer l'abonnement. Noter le numéro pour référence.

Note : l'ID SiriusXM Radio n'inclut pas les lettres I, O, S ni F.

Fonctionnement

Aux États-Unis, on peut activer en ligne ou en appelant le service après-vente SiriusXM Listener :

Consulter le site www.siriusxm.com/activatenow

Appeler le SiriusXM Listener Care en composant le 1-866-635-2349

Pour les abonnements canadiens, contacter :

Consulter www.siriusxm.ca/activatexm

Appeler le SiriusXM Listener Care en composant le 1-877-438-9677

Dans le cadre du processus d'activation, les satellites SiriusXM enverront un message d'activation au tuner. Lorsque la radio détecte que le tuner a reçu le message d'activation, la radio affichera : « Subscription Updated/Abonnement mis à jour ». Une fois abonné, on peut régler sur les chaînes du plan d'abonnement. Noter que le processus d'activation prend généralement de 10 à 15 minutes, mais peut prendre jusqu'à une heure. Il faudra que la radio soit alimentée et reçoive le signal SiriusXM pour recevoir le message d'activation.

PARAMÈTRES

Pour accéder aux PARAMÈTRES SiriusXM, appuyer brièvement sur le MENU lors de l'utilisation de source SiriusXM. Ceci donnera accès aux paramètres spécifiques à SiriusXM (SXM>PRESETS>ADD PRESETS>REMOVE PRESETS>CHANNELS>CATEGORY).

BANDES PRÉRÉGLÉES DE SiriusXM (SXM)

Appuyer brièvement sur le bouton d'encodeur pour accéder aux options STATIONS PRÉRÉGLÉES SiriusXM (SXM1>SXM2>SXM3). Utiliser cette fonction permet d'avoir des groupes de stations préréglées de satellites séparés parmi lesquels choisir. Utiliser les boutons FWD et REV pour faire défiler les groupes de TUNERS.

STATIONS PRÉRÉGLÉES

Appuyer brièvement sur le bouton d'encodeur pour accéder à la liste des STATIONS PRÉRÉGLÉES. Utiliser cette fonction pour voir quelles STATIONS PRÉRÉGLÉES sont sauvegardées sur l'unité.

ADD PRESETS (AJOUTER DES STATIONS PRÉRÉGLÉES)

Appuyer brièvement sur le bouton d'encodeur pour accéder à l'option ADD PRESETS. Il faudra se trouver sur la station et sur le groupe des STATIONS PRÉRÉGLÉES que l'on souhaite ajouter en premier (SXM1>SXM2>SXM3). Utiliser cette fonction pour pouvoir sauvegarder des stations sur l'unité. Une fois sélectionnée, utiliser l'encodeur rotatif pour sélectionner le numéro de STATION PRÉRÉGLÉE (1-6) sur lequel on souhaite sauvegarder la station.

REMOVE PRESETS (SUPPRIMER DES STATIONS PRÉRÉGLÉES)

Appuyer brièvement sur le bouton d'encodeur sur l'option SUPPRIMER DES STATIONS PRÉRÉGLÉES. Il faudra se trouver sous le groupe des STATIONS PRÉRÉGLÉES que l'on souhaite ajuster en premier (SXM1>SXM2>SXM3). Utiliser cette fonction pour pouvoir supprimer des stations sauvegardées sur l'unité. Une fois sélectionnée, utiliser l'encodeur rotatif pour sélectionner le numéro de STATION PRÉRÉGLÉE (1-6) de la station que l'on souhaite supprimer.

CHAÎNE

Appuyer brièvement sur le bouton d'encodeur sur l'option CHAÎNE pour sélectionner cette fonction. Cette fonction affiche une liste complète de chaînes.

CATÉGORIE

Appuyer brièvement sur le bouton d'encodeur sur l'option CATÉGORIE pour sélectionner cette fonction. Cette fonction permet de chercher les chaînes en fonction de leur type de CATÉGORIE.

SYNTONISATION DIRECTE

Appuyer brièvement sur le bouton d'encodeur sur l'option SYNTONISATION DIRECTE pour sélectionner cette fonction. Cette fonction permet de syntoniser directement une chaîne si on connaît déjà le numéro de la chaîne. Faire tourner l'encodeur jusqu'à obtention du numéro souhaité et appuyer pour saisir la sélection. Répéter jusqu'à obtention du numéro complet.

CONTRÔLE PARENTAL

Appuyer brièvement sur le bouton d'encodeur sur l'option PARENTAL CONTROL (CONTRÔLE PARENTAL) pour sélectionner cette fonction. Cette fonction permet de facilement bloquer et débloquer les chaînes dont le contenu est classé pour adultes. Pour activer cette fonction, appuyer brièvement sur l'encodeur sur CONTRÔLE PARENTAL pour la sélectionner. Il faudra saisir un code pour l'activer. Saisir le code « 1111 ». Une fois le code saisi correctement, on aura accès aux fonctions du CONTRÔLE PARENTAL (LOCK CHANNELS>CHANGE MY CODE). Utiliser le bouton d'encodeur pour faire défiler les options et appuyer brièvement pour sélectionner.

LOCK CHANNELS (BLOQUER LES CHAÎNES)

Appuyer brièvement sur le bouton d'encodeur sur l'option LOCK CHANNELS (BLOQUER LES CHAÎNES) pour sélectionner cette fonction. Cette fonction permet de bloquer certaines chaînes à l'écoute. Avant de pouvoir écouter des chaînes bloquées, il faudra saisir le code correct. Utiliser l'encodeur rotatif pour saisir le code.

CHANGE MY CODE (CHANGER MON CODE)

Appuyer brièvement sur le bouton d'encodeur sur l'option CHANGE MY CODE (CHANGER MON CODE) pour réinitialiser le code d'accès de CONTRÔLE PARENTAL. Utiliser l'encodeur rotatif pour saisir le code.

Contrôle téléphonique		Contrôle PMX-HD9813									
		USB/MP3/WMA		AUX-IN		iPhone/iPod		BT Audio		SiriusXM	
Pression brève	Pression longue	Pression brève	Pression longue	Pression brève	Pression longue	Pression brève	Pression longue	Pression brève	Pression longue	Pression brève	Pression longue
Volume +	Ramp Volume +	Volume +	Ramp Volume +	Volume +	Ramp Volume +	Volume +	Ramp Volume +	Volume +	Ramp Volume +	Volume +	Ramp Volume +
Volume -	Ramp Volume -	Volume -	Ramp Volume -	Volume -	Ramp Volume -	Volume -	Ramp Volume -	Volume -	Ramp Volume -	Volume -	Ramp Volume -
Play / Pause	Mains libres *	Play / Pause (Entrée)		MUTE (Entrée)		Play / Pause (Entrée)		MUTE (Entrée)		MUTE (Entrée)	
Précédent	Rembobiner	Précédent	Rembobiner	Précédent	Rembobiner	Précédent	Rembobiner	Précédent	Rembobiner	Précédent	Rembobiner
Suivant	Avance rapide	Suivant	Avance rapide	Suivant	Avance rapide	Suivant	Avance rapide	Suivant	Avance rapide	Suivant	Avance rapide
Télé réponse */ Raccrocher appel *	Rejet d'appel * Siri *	Bouton SRC / Activé	Désactivé	Bouton SRC / Activé	Désactivé	Bouton SRC / Activé	Désactivé	Bouton SRC / Activé	Désactivé	Bouton SRC / Activé	Désactivé

* IOS Uniquement

Symptôme/Avvertissement	Diagnostic	Solution
De base		
L'unité source ne se met pas en marche.	Fusible grillé	Vérifier le fusible de l'unité, remplacer avec le calibre approprié.
	L'allumage du véhicule est désactivé	Si connectée selon les instructions, l'unité ne fonctionnera pas avec l'allumage désactivé.
	La tension appliquée sur le fil rouge n'est pas entre 10,5 et 16 volts ou absence de toute tension	Vérifier la batterie, les connexions et les fusibles, et réparer ou remplacer selon les besoins. Si la tension est supérieure à +16 volts, faire inspecter le système électrique par un centre de service homologué.
	L'unité n'est pas correctement mise à la masse.	Vérifier le câblage et réparer selon les besoins.
Tuner de radio		
Le tuner ne syntonise aucune station	Aucune antenne, ou connexion déconnectée ou ouverte dans le câble	Vérifier toutes les connexions et réparer selon les besoins.
Impossible de régler des stations en mode recherche	On se trouve dans une zone à signal faible	S'assurer que le mode LOC du tuner est désactivé.
Périphériques USB		
Le périphérique USB ne peut pas être inséré	Le périphérique USB a été inséré dans le mauvais sens	Inverser le sens de connexion du périphérique USB, essayer de le réinsérer.
	Le connecteur du périphérique USB est cassé.	Le remplacer par un nouveau périphérique USB.
Le périphérique USB n'est pas reconnu.	Le périphérique USB est endommagé.	Déconnecter le périphérique USB et reconnecter. Si le périphérique n'est toujours pas reconnu, tenter de le remplacer par un périphérique USB différent. USB ne fonctionne pas avec les périphériques Android.
	Les connecteurs sont desserrés	
Aucun son entendu avec l'affichage « Aucun fichier »	Aucun fichier MP3/WMA sauvegardé sur le périphérique USB	Sauvegarder ces fichiers correctement sur le périphérique USB. USB ne fonctionne pas avec les périphériques Android.
Sauts de son ou son bruyant	Les fichiers MP3/WMA ne sont pas créés correctement	Utiliser les fichiers MP3/WMA qui sont correctement encodés.
AUX		
MP3 ne joue pas	Une erreur d'écriture s'est produite. Le format MP3 n'est pas compatible.	S'assurer que MP3 a été écrit dans un format pris en charge
Bluetooth		
Le volume de source Bluetooth est inférieur aux autres sources	Bluetooth du périphérique n'est pas au volume maximum	Tourner le volume sur le périphérique au nouveau maximum

SiriusXM		
Vérifier l'antenne	La radio a détecté une défaillance avec l'antenne SiriusXM. Le câble de l'antenne peut être soit déconnecté soit endommagé.	Vérifier que le câble de l'antenne est connecté au SiriusXM Connect Tuner Inspecter le câble d'antenne pour tout dommage ou toute pliure éventuels. Remplacer l'antenne si le câble est endommagé. Les produits SiriusXM sont disponibles auprès de tout détaillant audio automobile local ou en ligne à www.shop.siriusxm.com
Vérifier le tuner	La radio a du mal à communiquer avec le SiriusXM Connect Tuner. Le tuner peut être soit déconnecté soit endommagé.	Vérifier que le câble du SiriusXM Connect Tuner est bien connecté à la radio
Pas de signal	Le SiriusXM Connect Tuner a du mal à recevoir le signal du satellite SiriusXM.	Vérifier que le véhicule est à l'extérieur, avec une « vue libre » vers le ciel. Vérifier que l'antenne à montage magnétique SiriusXM est montée à l'extérieur du véhicule, sur une surface en métal. Écarter l'antenne SiriusXM de toute obstruction. Inspecter le câble d'antenne pour tout dommage ou toute pliure éventuels. Consulter le manuel d'installation du SiriusXM Connect Tuner pour de plus amples informations sur l'installation de l'antenne. Remplacer l'antenne si le câble est endommagé. Les produits SiriusXM sont disponibles auprès de tout détaillant audio automobile local ou en ligne à www.shop.siriusxm.com
Abonnement mis à jour	La radio a détecté un changement dans le statut d'abonnement à SiriusXM. Appuyer sur le bouton d'encodeur pour effacer le message.	Consulter www.siriusxm.com ou appeler le 866-635-2349 au USA ou le 877-438-9677 au Canada pour toute question sur l'abonnement.
Chaîne non disponible	La chaîne demandée n'est pas une chaîne SiriusXM valide ou bien la chaîne que l'on écoutait n'est plus disponible. Ce message peut également s'afficher brièvement lors de la connexion initiale à un nouveau SiriusXM Connect Tuner.	Consulter www.siriusxm.com pour de plus amples informations sur la liste des chaînes SiriusXM.
Chaîne à laquelle on n'est pas abonné	La chaîne demandée n'est pas une chaîne incluse dans le forfait d'abonnement SiriusXM ou bien la chaîne que l'on écoutait n'est plus incluse dans le forfait d'abonnement SiriusXM.	Consulter www.siriusxm.com ou appeler le 866-635-2349 au USA ou le 877-438-9677 au Canada pour toute question sur le forfait d'abonnement ou si l'on souhaite s'abonner à cette chaîne.
Chaîne bloquée	La chaîne demandée est bloquée par la fonction Contrôle parental. Voir page 10 pour de plus amples informations sur la fonction Contrôle parental et la façon d'accéder aux chaînes bloquées.	

Botón SRC (encendido)

Este botón le permite conmutar entre fuentes y encender (ON) o apagar (OFF) la unidad.

Codificador giratorio

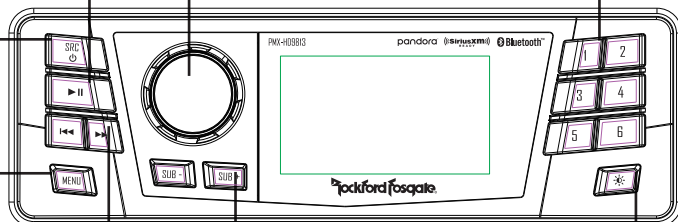
Esta perilla es para ajustar el volumen principal, menú de navegación y ajustes de la configuración.

Botón PLAY/PAUSE (REPRODUCCION/PAUSA)

Presionar este botón reproduce o pausa su música. Este botón también actúa como MUTE (SILENCIAMIENTO) cuando la fuente es AUX & TUNER (AUXILIAR Y SINTONIZADOR).

Botones PRESET (PREDETERMINACIONES)

Estos botones le permiten configurar predeterminaciones y permiten el rápido acceso a ellas una vez configuradas. Una sola presión prolongada para retener el canal y una presión breve para llamar el canal.



Botón MENU

Este botón le permite acceso a las configuraciones principales de la unidad presionando durante prolongadamente. Si se presiona brevemente consigue acceso a las configuraciones de la fuente activa.

Botones SUB

Estos botones le permiten ajustar la salida del subwoofer para SUBIR (UP) o BAJAR (DOWN) (0-20).

Botón REV / FWD (REBOBINAR / AVANZAR)

Use este botón para desplazarse hacia atrás y adelante a través de canales o pistas presionando brevemente. Si se presiona prolongadamente se activa el modo de búsqueda manual.

Botón DIMMER (ATENUADOR)

Presionar este botón le permitirá seleccionar entre dos valores de brillo para la pantalla.

Índice

Unidad fuente	Manual de Instalación y Operación
Arnés de salida RCA	

Consideraciones para la instalación

La siguiente es una lista básica de herramientas necesarias para la instalación:

Múltímetro	Broca Torx T-25
Llave para bornes de batería	Llave Allen de 3/16 pulg.

Esta sección se enfoca en algunas de las consideraciones del vehículo para instalar la unidad de fuente nueva. Preplanear la distribución de su sistema y las rutas de cableado le ahorrará tiempo de instalación. Cuando decida la distribución de su nuevo sistema asegúrese de que pueda acceder fácilmente a cada componente para hacer los ajustes.

Si no está seguro si debe hacer la instalación de este sistema usted mismo, haga que lo instale un técnico calificado de Rockford Audio.

Antes de efectuar la instalación, desconecte el terminal negativo (-) de la batería para evitar daños a la unidad, incendio y/o posible lesiones.

Antes de comenzar cualquier instalación, siga estas simples normas:

Asegúrese de leer cuidadosamente y de entender las instrucciones antes de tratar de instalar la unidad.

Por seguridad, desconecte el conductor negativo de la batería antes de comenzar la instalación.

Para facilitar el montaje, sugerimos que tienda todos los cables antes de montar su unidad en el sitio.

Tienda todos los cables RCA cerca unos de otros y alejados de los cables de alta corriente.

Utilice conectores de alta calidad para tener una instalación confiable y para reducir al mínimo las pérdidas de señal o de potencia.

¡Piense siempre antes de perforar! Tenga cuidado de no cortar ni perforar tanques de combustible, tuberías de combustible, de frenos o hidráulicas, tuberías de vacío o cableado eléctrico al trabajar en cualquier vehículo.

Nunca tienda cables abajo del vehículo. Tender los cables adentro del vehículo proporciona la mejor protección.

Evite tender cables arriba o a través de bordes filosos. Use arandelas aislantes de caucho para proteger los cables tendidos a través de metal, especialmente en la mampara cortafuegos.

Proteja SIEMPRE la batería y el sistema eléctrico contra daños usando los fusibles correspondientes. Instale el portafusibles y los fusible correspondientes en el cable de +12 V a una distancia menor de 18 pulg. (45.7 cm) del terminal de la batería.

Al conectar a la tierra del chasis del vehículo raspe la pintura del metal para asegurar una conexión buena y limpia a tierra. Las conexiones a tierra se deben hacer lo más cortas posibles y siempre conectadas a metal que esté soldado a la carrocería o al chasis del vehículo. Nunca debe usar los pernos del cinturón de seguridad para la conexión a tierra.

Montaje

Esta unidad es un reemplazo directo "plug and play" para la radio de fábrica.

Con la herramienta Torx, retire los tornillos del carenado que sujetan el carenado exterior a la motocicleta. Esto le dará acceso a la radio de fábrica.

Extraiga los (4) tornillos de fábrica que sostienen la radio en su lugar con la herramienta Allen de 3/16 pulg. Hay dos (2) de cada lado.

Desenchufe con cuidado el arnés y la antena de fábrica de la parte posterior de la radio de fábrica.

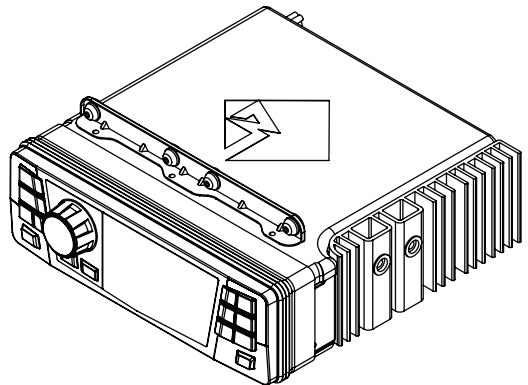
Retire la radio tirando de ella hacia la parte delantera de la motocicleta.

Deslice la unidad fuente en el orificio de montaje de la radio de fábrica y asegúrela con los sujetadores de fábrica existentes.

Enchufe el arnés y la antena de fábrica en la parte posterior de la nueva unidad.

Si utiliza un amplificador que no sea de Rockford Fosgate, enchufe el arnés RCA en el receptáculo restante.

Vuelva a instalar el carenado en la motocicleta.



Configuración de la unidad fuente

Para acceder a la configuración de la unidad fuente, presione el botón MENU hasta que aparezcan las opciones. Haga girar el codificador para desplazarse por la lista de configuraciones y presione brevemente el botón del codificador para seleccionar la configuración que desea cambiar. (BALANCE>FADER>AUDIO>VOLTAGE GAUGE>BT PAIRING>BEEP>TUNER REGION>SOFTWARE>THEME>REMOTE SETUP>CLOCK/DATE>FACTORY DEFAULT)

BALANCE

Presione brevemente el botón codificador para acceder a la configuración de BALANCE. Haga girar el botón del codificador para configurar la salida de BALANCE.

FADER (ATENUADOR)

Presione brevemente el botón codificador para acceder al ajuste de FADER. Haga girar el botón del codificador para configurar la salida de FADER.

AUDIO

Para acceder a la configuración de AUDIO, presione brevemente la opción AUDIO desde la pantalla MENU. Haga girar el codificador para desplazarse por la lista de configuraciones y presione brevemente el botón del codificador para seleccionar la configuración que desea cambiar. (7 BAND EQ>CROSSOVER>PEQ>REAR RCA>AUX INPUT>SOURCE GAIN>INTERNAL AMPLIFIER)

7 BAND EQ (ECUALIZADOR DE 7 BANDAS)

Presione brevemente el botón codificador para acceder a la configuración de 7 BAND EQ. Use el codificador giratorio para desplazarse por la configuración del EQ. (FLAT > ROCK > CLASSIC > ACOUSTIC > DANCE > ELECTRONIC > HIP-HOP > CUSTOM) al configurar CUSTOM EQ, presione brevemente el botón del codificador para establecer la primera frecuencia. Una vez activa, haga girar el codificador para ajustar la configuración de la frecuencia. Presione brevemente de nuevo el botón del codificador para acceder a la frecuencia siguiente. Repita hasta haber terminado la configuración del EQ. Presione brevemente el botón MENU para salir y volver a subir un nivel.

CROSSOVER (CRUCE)

Presione brevemente el botón para acceder a la configuración de CROSSOVER. Use el codificador giratorio para seleccionar las opciones de la zona de cruce (FRONT>REAR>SUB). Presione brevemente el codificador para ajustar la frecuencia del cruce (60Hz>80Hz>120Hz>APF). Presione brevemente MENU para salir y volver a subir un nivel.

PUNCH EQ

Presione brevemente el botón para acceder a la configuración de PUNCH EQ. Use el codificador giratorio para ajustar la ganancia de la salida (0 a 12). Presione brevemente MENU para salir y volver a subir un nivel.

Punch EQ es un ecualizador incorporado con hasta +18dB a 45Hz y/o un refuerzo de hasta +12dB a 12.5kHz

ENTRADA AUX.

RENAME – Para cambiar el nombre de AUX, presione brevemente el botón del codificador para configurar la primera letra del nombre nuevo. Una vez activado, haga girar el codificador para ajustar letras. Presione brevemente de nuevo el botón del codificador para ajustar la letra siguiente. Repita hasta que se haya cambiado el nombre de AUX. Presione brevemente MENU para salir y volver a subir un nivel.

ENABLE - Presione brevemente el botón codificador para acceder a las opciones. Gire el botón codificador para seleccionar si no puede descubrir la unidad. (ENABLE > DISABLE)

SOURCE GAIN (GANANCIA DE LA FUENTE)

Para ajustar el nivel de ganancia del dispositivo, desplácese a través de las entradas (FM TUNER>AMER>USB>AUX1>AUX2>BLUETOOTH>PANDORA>SiriusXM>GLOBAL INPUT) hasta el dispositivo que quiere ajustar, presione brevemente el botón del codificador para acceder a los ajustes de la ganancia. Gire el botón del codificador para configurar el nivel de ganancia (-3dB > -2dB > -1dB > 0dB > +1dB > +2dB > +3dB).

La selección de la opción GLOBAL INPUT (ENTRADA GLOBAL) le permite ajustar toda la atenuación de la fuente a la vez (0dB>-3dB>-6dB>-9dB>-12dB>-15dB>-18dB).

AMPLIFICADOR INTERNO

Presione brevemente el botón para acceder a las opciones de AMPLIFICADOR INTERNO. Use el codificador giratorio para seleccionar las opciones (ON>OFF). Al usar un amplificador para alimentar sus altavoces, seleccione OFF. Si está alimentando sus altavoces directamente desde la unidad fuente, seleccione ON en INTERNAL AMPLIFIER.

VOLTAGE GAUGE (VOLTÍMETRO)

Para mostrar el voltaje del vehículo, presione brevemente el botón del codificador en la opción VOLTAGE GAUGE.

EMPAREJADO DE DISPOSITIVO BT

Presione brevemente el botón del codificador para acceder a las opciones (DISCOVERABLE > DEVICE).

DETECTABLE

Gire el botón codificador para seleccionar si no puede descubrir la unidad para emparejar. (ENABLE > DISABLE) Una vez habilitada, la unidad fuente ahora se puede descubrir y está lista para ser emparejada a su dispositivo. Abra la configuración de Bluetooth en su dispositivo para encontrar la unidad fuente rotulada “Rockford PMX” y seleccione.

DISPOSITIVO

Si selecciona DEVICE (DISPOSITIVO) presionando brevemente el botón del codificador, podrá cambiar el nombre de la unidad fuente con hasta 16 caracteres. Esto le brinda la posibilidad de tener un nombre único para una fácil identificación durante el emparejamiento de dispositivos. Presione brevemente el botón del codificador para seleccionar la letra que desea cambiar y gire la perilla para cambiar el valor. Repita el proceso hasta alcanzar el nombre deseado.

BEEP (ZUMBIDO)

Presione brevemente el botón codificador para acceder a las opciones de BEEP. Haga girar el botón codificador para encender y apagar (ON/OFF) el sistema.

REGIÓN DE SINTONIZADOR

Para ajustar, presione brevemente el botón del codificador para tener acceso. Haga girar el botón del codificador para seleccionar la TUNER REGION de su preferencia. (EUROPE > USA > RUSSIA > LATIN > ASIA > JAPAN > MIDEAST > AUSTRALIA)

SOFTWARE

VERSION - Presione brevemente el botón del codificador para visualizar la versión actual del firmware de la unidad.

UPDATE - Presione brevemente el botón del codificador para actualizar el firmware. Siga las instrucciones de la pantalla al actualizar.

TEMA

Para configurar THEME (TEMA), presione brevemente el botón del codificador para acceder a la función. Haga girar el botón del codificador para seleccionar el TEMA (DÍA, NOCHE AUTO) de su preferencia.

CONFIGURACIÓN DEL REMOTO

Para acceder a las opciones de REMOTE SETUP, presione brevemente el codificador para visualizar las distintas opciones (HEAD UNIT INFO>PMX-BTUR SCAN>DISCONNECT>PMX-BTUR INFO> HEAD UNIT RESET).

Para acoplar su PMX-BTUR, presione cualquier botón en el remoto para activar el dispositivo. Luego seleccione PMX-BTUR SCAN bajo las opciones de REMOTE SETUP. Una vez que detecta el remoto, presione brevemente el codificador para terminar el emparejamiento.

CLOCK/DATE

Para configurar CLOCK/DATE (RELOJ/FECHA), presione brevemente el botón del codificador para acceder a la característica. Haga girar el botón del codificador para seleccionar las opciones de CLOCK/DATE (CLOCK/DATE SETTING>ALBUM ART DISPLAY).

CLOCK/DATE SETTING

Para configurar la preferencia de visualización de 12H/24H, gire el codificador para desplazarse a través de las opciones de visualización de la hora. Presione el codificador para seleccionar y mantener esa opción.

Para ajustar la hora, gire el codificador a la hora correcta, presione el codificador para bloquear la hora, repita para los minutos y la fecha.

ALBUM ART DISPLAY

Presione brevemente el botón codificador para seleccionar la opción de ALBUM ART DISPLAY que quiere (OFF>5S>10S>20S>ALWAYS).

PREDETERMINACIÓN DE FABRICA

AUDIO – Presione brevemente el botón para tener acceso. Gire el botón codificador para seleccionar YES/NO. Seleccionar YES repondrá su unidad de nuevo a la configuración predeterminada de la fábrica.

SYSTEM – Presione brevemente el botón del codificador para tener acceso. Gire el botón codificador para seleccionar YES/NO. Seleccionar YES repondrá su unidad de nuevo a la configuración predeterminada de la fábrica.

SiriusXM – Presione brevemente el botón del codificador para tener acceso. Gire el botón codificador para seleccionar YES/NO. Seleccionar YES repondrá su unidad de nuevo a la configuración predeterminada de la fábrica.

Funcionamiento Básico**PARA ENCENDER Y APAGAR (ON/OFF) LA UNIDAD.**

Presione prolongadamente el botón SRC (encendido) para encender la unidad o para apagarla (ON u OFF).

AJUSTE DEL VOLUMEN

Haga girar la perilla del codificador a la izquierda o a la derecha al nivel de volumen deseado (0-40). Se visualizará el nivel de volumen actual durante el ajuste.

AJUSTE DE LA SALIDA DEL SUBWOOFER

Presione los botones SUB + o SUB- para ajustar el nivel de la salida (0-20).

AJUSTE DEL BRILLO DE LA PANTALLA

Presione brevemente el botón DIMMER para ajustar el nivel de brillo. Hay dos niveles de brillo.

SELECCIÓN DE UNA FUENTE PARA REPRODUCIR

Presione brevemente el botón SRC para mostrar las distintas opciones de fuente (FM TUNER>AM TUNER>USB>AUX>BLUETOOTH>PANDORA>SiriusXM). Use el codificador giratorio o presione brevemente SCR para desplazarse por las fuentes.

Operación del sintonizador (FM/AM)

Para operar use el codificador giratorio para seleccionar la fuente del sintonizador que quiere escuchar (FM>AM).

Para BUSCAR AUTOMÁTICAMENTE estaciones, presione brevemente los botones FWD y REV. Para BUSCAR MANUALMENTE estaciones, presione prolongadamente los botones FWD y REV para sintonizar la frecuencia deseada.

Para MUTE (silenciar) el TUNER (sintonizador), presione brevemente el botón PLAY/PAUSE (reproducción/pausa).

CONFIGURACIÓN DE BANDAS DE FM

Para acceder a FM BAND SETTINGS, presione brevemente el MENU al utilizar la fuente FM TUNER. Esto le permite acceso a las configuraciones específicas de FM TUNER (FM>PRESETS>ADD PRESETS>REMOVE PRESETS>AUTO STORE>LOCAL).

PRESETS (PREDETERMINACIONES)

Presione brevemente el botón codificador para acceder a las opciones de PRESETS. El uso de esta característica le permite ver qué PRESETS se guardan en la unidad.

ADD PRESETS (AGREGAR PREDETERMINACIONES)

Presione brevemente el botón codificador para acceder a la opción ADD PRESETS. Tendrá que estar en ambos, la estación y el grupo PRESET que quiere ajustar primero (FM1>FM2>FM3). Usar esta característica le permite guardar estaciones en la unidad. Una vez seleccionado, use el codificador giratorio para seleccionar el número PRESET (1-6) en el que quiere guardar la estación.

REMOVE PRESETS (ELIMINACIÓN DE PREDETERMINACIONES)

Presione brevemente el botón codificador para acceder a la opción REMOVE PRESETS. Tendrá que estar bajo el grupo PRESET que quiere ajustar primero (FM1>FM2>FM3). Usar esta característica le permite eliminar las estaciones guardadas en la unidad. Una vez seleccionado, use el codificador giratorio para seleccionar el número PRESET(1-6) de la estación que quiere eliminar.

FM

Presione brevemente el botón codificador para acceder a las opciones de FM PRESET (FM1>FM2>FM3). El uso de esta característica le permite tener grupos de predeterminación de sintonizador separados de los que puede escoger. Use el botón codificador giratorio para desplazarse a través de los grupos de TUNER y presione brevemente para seleccionar el grupo.

AUTO STORE (ALMACENAMIENTO AUTOMÁTICO)

Presione brevemente el botón codificador para acceder a la función AUTO STORE. Tendrá que estar bajo el grupo PRESET que quiere ajustar primero (FM1>FM2>FM3). Esta característica almacena automáticamente predeterminaciones en la unidad. Se detiene cuando se haya configurado las predeterminaciones 1-6. Seleccione el siguiente grupo PRESET y repita para completar el siguiente.

LOCAL

Presione brevemente el botón codificador para acceder a las opciones de LOCAL. Una vez seleccionado, use el codificador giratorio para seleccionar ON u OFF. La opción local sintoniza estaciones más cercanas con señales suficientemente fuertes para tener buena recepción. En áreas donde la recepción es deficiente, cambiar a sintonización distante habilita a la unidad para que sintonice estaciones más distantes. La sintonía distante es la predeterminación.

CONFIGURACIÓN DE BANDAS DE AM

Para acceder a AM BAND SETTINGS, presione brevemente el MENU al utilizar la fuente AM TUNER. Esto le permite acceso a las configuraciones específicas de AM TUNER (FM>PRESETS>ADD PRESETS>REMOVE PRESETS>AUTO STORE>LOCAL).

PRESETS (PREDETERMINACIONES)

Presione brevemente el botón codificador para acceder a las opciones de PRESETS. El uso de esta característica le permite ver qué PRESETS se guardan en la unidad.

ADD PRESETS (AGREGAR PREDETERMINACIONES)

Presione brevemente el botón codificador para acceder a la opción ADD PRESETS. Tendrá que estar en ambos, la estación y el grupo PRESET que quiere ajustar primero (AM1>AM2). Usar esta característica le permite guardar estaciones en la unidad. Una vez seleccionado, use el codificador giratorio para seleccionar el número PRESET (1-6) en el que quiere guardar la estación.

REMOVE PRESETS (ELIMINACIÓN DE PREDETERMINACIONES)

Presione brevemente el botón codificador para acceder a la opción REMOVE PRESETS. Tendrá que estar bajo el grupo PRESET que quiere ajustar primero (AM1>AM2). Usar esta característica le permite eliminar las estaciones guardadas en la unidad. Una vez seleccionada, use el codificador giratorio para seleccionar el número PRESET(1-6) de la estación que quiere eliminar.

AM

Presione brevemente el botón codificador para acceder a las opciones de FM PRESET (AM1>AM2). El uso de esta característica le permite tener grupos de predeterminación de sintonizador separados de los que puede escoger. Use el botón codificador giratorio para desplazarse a través de los grupos de TUNER y presione brevemente para seleccionar el grupo.

AUTO STORE (ALMACENAMIENTO AUTOMÁTICO)

Presione brevemente el botón codificador para acceder a la función AUTO STORE. Tendrá que estar bajo el grupo PRESET que quiere ajustar primero (AM1>AM2). Esta característica almacena automáticamente predeterminaciones en la unidad. Se detiene cuando se haya configurado las predeterminaciones 1-6. Seleccione el siguiente grupo PRESET y repita para completar el siguiente.

LOCAL

Presione brevemente el botón codificador para acceder a las opciones de LOCAL. Una vez seleccionado, use el codificador giratorio para seleccionar ON u OFF. La opción local sintoniza estaciones más cercanas con señales suficientemente fuertes para tener buena recepción. En áreas donde la recepción es deficiente, cambiar a sintonización distante habilita a la unidad para que sintonice estaciones más distantes. La sintonía distante es la predeterminación.

Operación de USB (iPod)

Después que su dispositivo esté conectado a la unidad fuente, esta característica le permite controlar la reproducción de su dispositivo directamente desde la unidad. Seleccione la opción de fuente USB en la unidad fuente.

Para reproducir o pausar una canción, presione brevemente el botón PLAY/PAUSE.

Para omitir una pista y avanzar, presione brevemente el botón FWD. Para omitir una pista y retroceder, presione brevemente el botón REV.

Para acceder a una configuración específica de USB, presione brevemente el botón MENU para visualizar una lista de configuraciones (BROWSER>REPEAT>SHUFFLE). Use el codificador para seleccionar la opción a cambiar.

BROWSER (EXPLORADOR)

Presione brevemente el botón del codificador para acceder a las opciones del BROWSER (PLAYLISTS>ARTISTS>ALBUMS>GENRES>SONGS>COMPOSERS>AUDIOBOOKS>PODCASTS). El uso de esta característica permite la búsqueda de pistas o canciones por tipos de categorías distintas.

Para page/down (página/bajar) use los botones track forward y track backwards.

REPEAT (REPETIR)

Presione brevemente el botón codificador para acceder a las opciones de la característica REPEAT (OFF>ONE>ALL).

SHUFFLE

Presione brevemente el botón codificador para acceder a las opciones de la característica SHUFFLE (OFF>ALL). Esta característica le permite que configure su preferencia en cuanto a la reproducción en orden aleatorio de pistas o canciones.

NOTA: Al usar un cable de extensión USB, debe ser un cable de extensión alimentado de Rockford Fosgate. La distancia máxima para el cable es de 33 pies (10 metros).

Operación AUX

Después que su dispositivo esté conectado a la unidad fuente, esta característica le permite reproducir música desde su dispositivo. Seleccione la opción fuente AUX en la fuente de la unidad y use su dispositivo enchufado para controlar la selección de canciones/pistas, REPRODUCIR/PAUSA y omisión de pista FWD/REV.

Operación de Bluetooth®

Después que su dispositivo esté conectado a la unidad fuente, esta característica le permite controlar la reproducción de su dispositivo directamente desde la unidad. Seleccione la opción de fuente BLUETOOTH en la unidad fuente.

Para reproducir o pausar una canción, presione brevemente el botón PLAY/PAUSE.

Para omitir una pista y avanzar, presione brevemente el botón FWD. Para omitir una pista y retroceder, presione brevemente el botón REV.

Para acceder a una configuración específica de BLUETOOTH, presione brevemente el botón MENU para visualizar una lista de configuraciones (BROWSER>REPEAT>SHUFFLE). Use el codificador para seleccionar la opción a cambiar.

BROWSER (EXPLORADOR)

Presione brevemente el botón del codificador para acceder a las opciones del BROWSER (PLAYLISTS>ARTISTS>ALBUMS>GENRES>SONGS>COMPOSERS>AUDIOBOOKS>PODCASTS). El uso de esta característica permite la búsqueda de pistas o canciones por tipos de categorías distintas.

REPEAT (REPETIR)

Presione brevemente el botón codificador para acceder a las opciones de la característica REPEAT (OFF>ONE>ALL). Esta característica le permite que configure su preferencia en cuanto a la cantidad de veces que se repetirá una pista o canción.

SHUFFLE

Presione brevemente el botón codificador para acceder a las opciones de la característica SHUFFLE (OFF>ALL). Esta característica le permite que configure su preferencia en cuanto a la reproducción en orden aleatorio de pistas o canciones.

NOTA: Cuando se aparea inicialmente el dispositivo, el volumen en el dispositivo será aproximadamente la mitad del volumen. Deberá subir el volumen al máximo en el dispositivo conectado antes de la configuración del nivel. El dispositivo permanecerá en el volumen máximo después de la configuración inicial y cuando se vuelva a aparearse con la unidad fuente.

Pandora®

Esta característica le permite controlar la aplicación Pandora® directamente desde la unidad fuente (los usuarios de Android deberán usar solamente Bluetooth, los usuarios de iOS pueden usar ambas, USB y Bluetooth). Tendrá que inicializar primero la aplicación Pandora® en su dispositivo, luego debe seleccionar la opción de fuente de Pandora® en la unidad fuente. Para usar la característica “Thumbs Up”, presione prolongadamente el botón SUB+. Para usar la característica “Thumbs down”, presione prolongadamente el botón SUB-.

Para reproducir o pausar una canción, presione brevemente el botón PLAY/PAUSE.

Para omitir una pista y avanzar, presione brevemente el botón FWD.

Para acceder a una configuración específica de Pandora®, presione brevemente el botón MENU para visualizar la lista de configuraciones (STATIONS>BOOKMARKS>STATIONS MANAGE). Use el codificador para seleccionar la opción a cambiar.

STATIONS (ESTACIONES)

Para ajustar, presione brevemente el botón del codificador para tener acceso. Gire el botón del codificador para seleccionar sus opciones (SHUFFLE>SORT DATE/A-Z>STATIONS). Si se selecciona la opción SHUFFLE se cambiará aleatoriamente sus estaciones y seleccionar la característica SORT ordenará sus estaciones por fecha de agregado o alfabéticamente. Usted también puede seleccionar sus estaciones guardadas directamente de esta lista.

BOOKMARKS

Para BOOKMARK (poner una marca) en un artista o en una pista que se está reproduciendo, presione brevemente el botón del codificador para visualizar sus opciones de BOOKMARK (ARTIST>TRACK). Seleccione la opción que desea usar para bookmarking (marcar).

STATIONS MANAGE (ADMINISTRACIÓN DE ESTACIONES)

Para crear estaciones, presione brevemente el botón del codificador para sus opciones de STATION MANAGE (CREATE FROM ARTIST> CREATE FROM TRACK> CREATE FROM GENRE>DELETE). Seleccionar CREATE FROM ARTIST OPTION le permite crear una estación del artista al que actualmente está escuchando. CREATE FROM TRACK funciona de manera similar al crear una estación a partir de la pista actual que se está reproduciendo. Si ha creado una estación seleccionando CREATE FROM GENRE, esto le dará géneros musicales de los que puede seleccionar para crear su estación. Seleccionar DELETE eliminará la estación que está reproduciendo actualmente.

Pandora, el logotipo de Pandora, y la decoración comercial

de Pandora son marcas comerciales o marcas registradas de Pandora Media, Inc. Se ha usado con autorización. Pandora solamente está disponible en ciertos países. Si desea más información visite <http://www.pandora.com/legal>.

SiriusXM®

Solamente SiriusXM® le trae más de los que usted quiere escuchar, todo en un sitio. Consiga más de 140 canales, incluyendo música sin interrupciones comerciales más los mejores deportes, noticias, charlas, comedia y espectáculos. Bienvenido al mundo de la radio satelital. Se requiere un sintonizador y una suscripción de SiriusXM Connect. Para obtener más información visite www.siriusxm.com

ACTIVACIÓN DE SU SUSCRIPCIÓN DE SiriusXM

Después de instalar su sintonizador SiriusXM Connect y la antena, encienda su unidad fuente y seleccione el modo SiriusXM. Debe poder escuchar el canal Preview de SiriusXM en el Canal 1. Si no puede escuchar los canales preliminares, compruebe las instrucciones de instalación para asegurarse de que el sintonizador SiriusXM Connect esté correctamente instalado.

Después que pueda escuchar el canal Preview, sintonice el Canal 0 para encontrar la Radio ID (identificación radial) de su sintonizador. Además la identificación de la radio está impresa en la parte inferior del sintonizador SiriusXM Connect y en su embalaje. Usted necesitará este número para activar su suscripción. Anote el número para tenerlo de referencia.

Nota: la identificación radial de SiriusXM no incluye las letras I, O, S o F.

En los EE.UU. puede activarlo en línea o llamando a SiriusXM Listener Care.

Visite www.siriusxm.com/activatenow

Llame al SiriusXM Listener Care al 1-866-635-2349

Para suscripciones canadienses, comuníquese con:

Visite www.siriusxm.ca/activatexm

Llame a XM Customer Care al 1-877-438-9677

Como parte del proceso de activación, los satélites SiriusXM enviarán un mensaje de activación a su sintonizador. Cuando la radio detecta que el sintonizador ha recibido el mensaje de activación, su radio visualizará: “Subscription Updated” (Suscripción actualizada) Una vez suscrito puede sintonizar canales en su plan de suscripción. Tenga en cuenta que el proceso de activación normalmente demora 10 a 15 minutos, pero puede demorar hasta una hora. Su radio deberá estar encendida y recibiendo la señal de SiriusXM para recibir el mensaje de activación.

SETTINGS (CONFIGURACIÓN)

Para acceder a SiriusXM SETTINGS, presione brevemente el MENU al utilizar la fuente SiriusXM. Esto le permite acceso a las configuraciones específicas de SiriusXM (SXM>PRESETS>ADD PRESETS>REMOVE PRESETS>CHANNELS>CATEGORY).

BANDAS PREDETERMINADAS DE SiriusXM (SXM)

Presione brevemente el botón codificador para acceder a las opciones de SiriusXM PRESET (SXM1>SXM2>SXM3). El uso de esta característica le permite tener grupos satelitales predeterminados separados de los que puede escoger. Use los botones FWD y REV para desplazarse a través de los grupos de TUNER.

PRESETS (PREDETERMINACIONES)

Presione brevemente el botón codificador para acceder a las

Funcionamiento

opciones de PRESETS. El uso de esta característica le permite ver qué PRESETS se guardan en la unidad.

ADD PRESETS (AGREGAR PREDETERMINACIONES)

Presione brevemente el botón codificador para acceder a la opción ADD PRESETS. Tendrá que estar en ambos, el canal y el grupo PRESET que quiere ajustar primero (SXM1>SXM2>SXM3). Usar esta característica le permite guardar canales en la unidad. Una vez seleccionado, use el codificador giratorio para seleccionar el número PRESET (1-6) en el que quiere guardar el canal.

REMOVE PRESETS (ELIMINACIÓN DE PREDETERMINACIONES)

Presione brevemente el botón codificador para acceder a la opción REMOVE PRESETS. Tendrá que estar bajo el grupo PRESET que quiere ajustar primero (SXM1>SXM2>SXM3). Usar esta característica le permite eliminar los canales guardados en la unidad. Una vez seleccionada, use el codificador giratorio para seleccionar el número PRESET(1-6) del canal que quiere eliminar.

CHANNEL (CANAL)

Presione brevemente el botón codificador en la opción CHANNEL para seleccionar esta característica. Esta característica muestra una lista completa de canales.

CATEGORY (CATEGORÍA)

Presione brevemente el botón codificador en la opción CATEGORY para seleccionar esta característica. Esta característica le permite buscar canales en base a su tipo de CATEGORÍA

DIRECT TUNING (SINTONÍA DIRECTA)

Presione brevemente el botón codificador en la opción DIRECT TUNING para seleccionar esta característica. Esta categoría le permite sintonizar directamente un canal si ya conoce el número del canal. Haga girar el codificador hasta que alcance el número deseado y presione para entrar su selección. Repita hasta que se haya completado el número del canal.

PARENTAL CONTROL (CONTROL PARENTAL)

Presione brevemente el botón codificador para acceder a la opción PARENTAL CONTROL para seleccionar esta característica. Esta característica le permite bloquear y desbloquear canales que tienen contenido para adultos. Para activar esta característica, presione brevemente el codificador en PARENTAL CONTROLS para seleccionar. Se le pedirá que ingrese un código para activarlo. Ingrese "1111" como su código. Una vez que haya ingresado el código correctamente, esto le dará acceso a las características de PARENTAL CONTROL (LOCK CHANNELS>CHANGE MY CODE). Use la perilla codificador para desplazarse a través de las opciones y presione brevemente para seleccionar.

LOCK CHANNELS (BLOQUEO DE CANALES)

Presione brevemente el botón codificador en la opción LOCK CHANNELS para seleccionar esta característica. Esta característica le permite seleccionar ciertos canales para bloquear su audición. Cuando trata de escuchar canales bloqueados, deberá ingresar el código de acceso correcto para escucharlos. Use el codificador giratorio para ingresar el código.

CHANGE MY CODE (CAMBIAR MI CÓDIGO)

Presione brevemente el botón codificador en la opción CHANGE MY CODE para reponer el código de acceso de PARENTAL CONTROL. Use el codificador giratorio para ingresar el código.

Control del teléfono		Control PMX-HD9813									
		USB/MP3/WMA		AUX-IN		iPhone/iPod		BT Audio		SiriusXM	
Pulsación corta	Pulsación larga	Pulsación corta	Pulsación larga	Pulsación corta	Pulsación larga	Pulsación corta	Pulsación larga	Pulsación corta	Pulsación larga	Pulsación corta	Pulsación larga
Volumen:	Subir volumen +	Volumen +	Subir volumen +	Volumen +	Subir volumen +	Volumen +	Subir volumen +	Volumen +	Subir volumen +	Volumen +	Subir volumen +
Volumen +	Subir volumen +	Volumen +	Subir volumen +	Volumen +	Subir volumen +	Volumen +	Subir volumen +	Volumen +	Subir volumen +	Volumen +	Subir volumen +
Reproducir / Pausa	Sin manos *	Reproducir / Pausa (Entrar)		SILENCIAR (Entrar)		Reproducir / Pausa (Entrar)		SILENCIAR (Entrar)		SILENCIAR (Entrar)	
Previo	Rebobinar	Previo	Rebobinar	Previo	Rebobinar	Previo	Rebobinar	Previo	Rebobinar	Previo	Rebobinar
Siguiente	Avance rápido	Siguiente	Avance rápido	Siguiente	Avance rápido	Siguiente	Avance rápido	Siguiente	Avance rápido	Siguiente	Avance rápido
Contestar llamadas */ Colgar llamada *	Rechazar llamada * Siri *	SRC / Encender	Apagar	SRC / Encender	Apagar	SRC / Encender	Apagar	SRC / Encender	Apagar	SRC / Encender	Apagar

* iOS solamente

Identificación de fallas

Síntoma / Asesoramiento	Diagnóstico	Acción correctiva
Básica		
No se enciende la unidad fuente	Fusible quemado	Compruebe el fusible de la unidad cambie por uno con la calificación correcta.
	La ignición del vehículo está apagada	Si conecta siguiendo las instrucciones, la unidad no funcionará con la ignición apagada.
	El voltaje aplicado al alambre rojo no está entre 10.5 y 16 voltios o no hay voltaje presente	Compruebe la batería, las conexiones y los fusibles, y repare o reemplace como sea necesario. Si el voltaje es mayor de +16 voltios, haga que un centro de servicio autorizado inspeccione el sistema eléctrico.
	El amplificador no está correctamente conectado a tierra	Revise las conexiones y repárelas como sea necesario
Sintonizador de radio		
El sintonizador no sintoniza ninguna estación	No tiene antena o está desconectada o hay una conexión abierta en el cable	Revise todas las conexiones y repárelas como sea necesario.
No puede sintonizar estaciones en el modo seek	Está en un área de señal débil	Asegúrese de que el modo LOC del sintonizador esté apagado
Dispositivos USB		
No se puede insertar el dispositivo USB	Se insertó en dispositivo USB en la dirección equivocada	Intente reinsertar de nuevo invirtiendo la dirección de la conexión del dispositivo USB.
	El conector del dispositivo USB está roto	Cambie por un dispositivo USB nuevo
No se reconoció el dispositivo USB	El dispositivo USB está dañado	Desconecte el dispositivo USB y vuelva a conectar. Si el dispositivo todavía no se reconoce, pruebe de reemplazar con un dispositivo USB distinto USB no funciona con dispositivos Android.
	Los conectores están sueltos	
No se escuchó un sonido y se muestra el mensaje "No File" (sin archivo)	No se almacenan archivos MP3/WMA en el dispositivo USB	Almacene correctamente estos archivos en el dispositivo USB USB no funciona con dispositivos Android.
El sonido salta o es ruidoso	Los archivos MP3/WMA no fueron creados correctamente.	Use archivos MP3/WMA que estén correctamente codificados.
AUX		
El MP3 no se está reproduciendo	Hubo un error de escritura. El formato MP3 no es compatible	Asegúrese de que se haya escrito en el MP3 usando un formato apoyado
Bluetooth		
El volumen de la fuente de Bluetooth es más bajo que las otras fuentes	Bluetooth desde el dispositivo no está al volumen máximo	Aumente el volumen del dispositivo al nivel máximo

SiriusXM		
Compruebe la antena	La radio ha detectado una falla con la antena SiriusXM. Es posible que el cable de antena esté desconectado o dañado.	<p>Inspecciones si el cable de antena está conectado al sintonizador SiriusXM Connect</p> <p>Inspeccione si el cable de antena tiene daños o está retorcido. Cambie la antena si el cable está dañado.</p> <p>Los productos SiriusXM están disponibles en su comercio minorista de audio para automóviles o en línea en www.shop.siriusxm.com</p>
Comprobación del sintonizador	La radio tiene dificultades para comunicarse con el sintonizador SiriusXM Connect. Es posible que el sintonizador esté desconectado o dañado.	Compruebe que el cable del sintonizador SiriusXM Connect esté conectado de manera segura a la radio
No hay señal	El sintonizador SiriusXM Connect tiene dificultades con la recepción de la señal satelital de SiriusXM.	<p>Compruebe que el vehículo esté al aire libre con una visión clara del cielo.</p> <p>Compruebe que la antena de montaje magnético SiriusXM esté montada sobre una superficie metálica afuera del vehículo.</p> <p>Mueva la antena SiriusXM alejándola de las obstrucciones.</p> <p>Inspeccione si el cable de antena tiene daños o está retorcido.</p> <p>Consulte el manual de instalación del sintonizador SiriusXM Connect para obtener más información sobre la instalación de la antena. Cambie la antena si el cable está dañado. Los productos SiriusXM están disponibles en comercios minoristas de audio para automóviles o en línea en www.shop.siriusxm.com</p>
Subscription Updated (Subscripción actualizada)	La radio ha detectado un cambio en el estado de su subscripción de SiriusXM. Presione el botón codificador para eliminar el mensaje.	Visite www.siriusxm.com o llame al 866-635-2349 en los EE.UU. o al 877-438-9677 en Canadá si tiene preguntas con respecto a sus subscripción.
Channel Not Available (El canal no está disponible)	El canal que ha pedido no es un canal SiriusXM válido o el canal que está escuchando ya no está disponible. Es posible que también vea brevemente este mensaje cuando conecta por primera vez un sintonizador SiriusXM nuevo.	Visite www.siriusxm.com para obtener más información sobre la línea de canales de SiriusXM.
Channel Not Subscribed (No se ha suscripto al canal)	El canal que ha pedido no está incluido en el paquete de su subscripción de SiriusXM o el canal que está escuchando ya no se incluye en su paquete de subscripción de SiriusXM.	Visite www.siriusxm.com o llame al 866-635-2349 en los EE.UU. o al 877-438-9677 en Canadá si tiene preguntas con respecto al paquete de su subscripción o si quiere suscribirse a este canal.
Channel Locked (Canal bloqueado)	El canal que ha pedido está bloqueado por la característica de Control parental. Consulte la página 10 para obtener más información sobre la característica de control parental y cómo acceder a canales bloqueados.	

SRC (Netzschalter)-Taste

Diese Taste ermöglicht das Umschalten zwischen Sources und Ein- und Ausschalten des Geräts ON/OFF.

Drehgeber

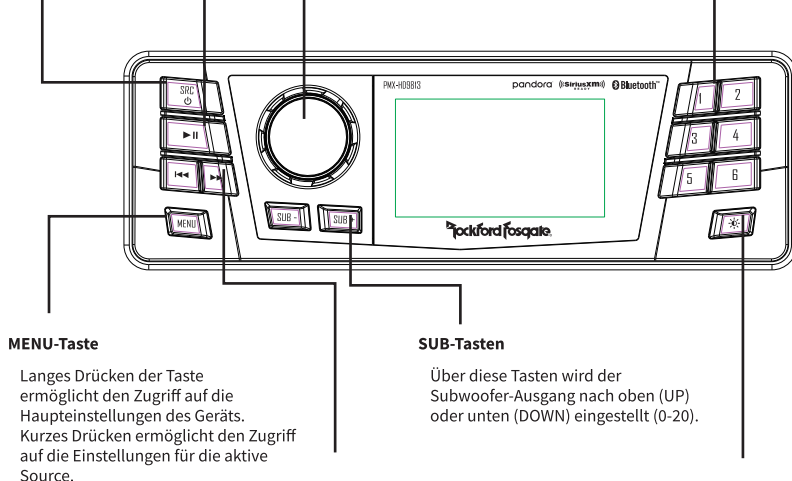
Mit diesem Knopf werden Hauptlautstärke, Menünavigation und Anpassungen der Einstellungen eingestellt.

PLAY/PAUSE-Taste

Diese Taste für die Musik-Wiedergabe oder Unterbrechung drücken. Diese Taste dient gleichzeitig als MUTE-Taste (Stummschalttaste), wenn die Source im AUX & TUNER-Modus ist.

PRESET-Tasten

Mit diesen Tasten können die Voreinstellungen (Presets) eingestellt werden, die anschließend über den Schnellzugriff verfügbar sind. Lang drücken, um den Kanal beizubehalten, und kurz drücken, um den Kanal zurückzurufen.



REV/FWD-Taste

Durch kurzes Drücken dieser Taste durch die Kanäle oder Titel zurück- oder vorspringen. Langes Drücken aktiviert den manuellen Suchmodus.

DIMMER-Taste

Durch Drücken dieser Taste kann man zwischen den zwei Helligkeitsstufen des Displays auswählen.

Inhalt

Source-Gerät	Einbau- und Betriebsanleitung
RCA-Ausgang-Kabelband	

Informationen zum Einbau

Liste der erforderlichen Werkzeuge für den Einbau:

Spannungsmesser (Volt/ Ohm)	T-25 Torx-Spitze
Batteriestützenschlüssel	3/16 Zoll Inbusschlüssel

Dieser Abschnitt enthält einige Informationen zum Einbau des neuen Source-Geräts im Fahrzeug. Vorausplanung des Systemlayouts und der besten Verkabelungsrouten sparen Zeit beim Einbau. Bei der Wahl eines Layouts für das neue System prüfen, ob alle Komponenten leicht erreichbar sind, um Einstellungen vorzunehmen.

Wenn Sie beim Einbau des Geräts unsicher sind, lassen Sie es bitte von einem qualifizierten Rockford-Fosgate-Techniker einbauen.

Vor dem Einbau den negativen Batteriepol trennen, um Schäden am Gerät, Brand und mögliche Verletzungen zu vermeiden.

Vor dem Einbau diese einfachen Regeln befolgen:

Vor dem Einbau des Geräts die Anleitungen sorgfältig durchlesen und verstehen.

Aus Sicherheitsgründen vor dem Einbau das negative Kabel von der Batterie trennen.

Um die Montage zu erleichtern, empfehlen wir, alle Kabel vor der Befestigung des Source-Geräts zu verlegen.

Alle RCA-Kabel dicht zusammen und möglichst weit von Hochstromkabeln entfernt verlegen.

Nur Qualitätsstecker verwenden, um einen zuverlässigen Einbau zu gewährleisten und Signal- und Stromverlust zu minimieren.

Vorsicht vor dem Bohren! Bei Arbeiten am Fahrzeug darauf achten, nicht in den Benzintank, in die Benzin-, Brems- oder hydraulischen Leitungen, Vakuumleitungen oder Elektrokabel zu schneiden oder zu bohren.

Kabel nie unter dem Fahrzeug verlegen. Verlegen der Kabel im Fahrzeug bietet den besten Schutz.

Verlegen der Kabel über oder durch scharfe Kanten vermeiden. Gummi- oder Plastik-Dichtungshülsen verwenden, um Kabel zu schützen, die durch Metall verlegt werden, insbesondere durch die Feuerwand.

Die Batterie und das elektrische System IMMER durch ordnungsgemäße Sicherungen vor Beschädigung schützen. Die entsprechende Sicherungshalterung und Sicherung auf dem +12V Stromkabel maximal 45,7 cm vom Batteriepol entfernt installieren.

Bei der Erdung über das Fahrgestell alle Farbe vom Metall abkratzen, um eine gute, saubere Erdung zu gewährleisten. Erdungskabel sollten so kurz wie möglich und stets an Metall angeschlossen sein, das an der Karosserie oder am Fahrgestell des Fahrzeugs angeschweißt ist. Niemals die Bolzen von Sicherheitsgurten für die Erdung verwenden.

Einbau

Dieses Gerät ist ein direkter Plug-and-Play-Ersatz für das Werksradio.

Mit dem Torx-Werkzeug die Verkleidungsschrauben entfernen und die Außenverkleidung am Motorrad befestigen. Dies gibt Zugang zum Werksradio.

Mit dem 3/16 Zoll Inbusschlüssel die (4) Werkschrauben entfernen, die das Radio in Position halten. Es gibt (2) auf jeder Seite.

Vorsichtig das Werkskabelband und die Antenne von der Rückseite des Werksradios herausziehen.

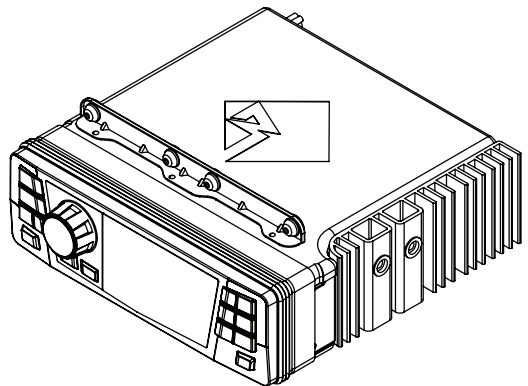
Das Radio am Motorrad nach vorne ziehen und entfernen.

Das Source-Gerät in die Befestigungsstelle des Werksradios hineinführen und mit den vorhandenen Werksverschlüssen befestigen.

Das Werkskabelband und die Antenne in die Rückseite des neuen Geräts einstecken.

Wird ein nicht-Rockford Fosgate-Verstärker verwendet, das RCA-Kabelband in die verbleibende Buchse einstecken.

Die Verkleidung auf dem Motorrad wieder anbringen.



Einstellungen des Source-Geräts

Um auf die Einstellungen des Source-Geräts zuzugreifen, die MENU-Taste lange drücken, bis die Optionen angezeigt werden. Den Drehgeber drehen, durch die Liste der Einstellungen blättern und den Drehgeber-Knopf kurz drücken, um die gewünschte Einstellung auszuwählen und zu ändern. (BALANCE>FADER>AUDIO>VOLTAGE GAUGE>BT PAIRING>BEEP>TUNER REGION>SOFTWARE>THEME>REMOTE SETUP>CLOCK/DATE>FACTORY DEFAULT)

BALANCE

Den Drehgeber-Knopf kurz drücken, um auf die BALANCE-Einstellungen zuzugreifen. Den Drehgeber-Knopf drehen, um die Ausgang-BALANCE einzustellen.

FADER

Den Drehgeber-Knopf kurz drücken, um auf die FADER-Einstellungen zuzugreifen. Den Drehgeber-Knopf drehen, um den Ausgang-FADER einzustellen.

AUDIO

Die Option AUDIO in der MENU-Anzeige kurz drücken, um auf die AUDIO-Einstellungen zuzugreifen. Den Drehgeber drehen, durch die Liste der Einstellungen blättern und den Drehgeber-Knopf kurz drücken, um die gewünschte Einstellung auszuwählen und zu ändern. (7 BAND EQ>CROSSOVER>PEQ>REAR RCA>AUX INPUT>SOURCE GAIN>INTERNAL AMPLIFIER)

7 BAND EQ

Den Drehgeber-Knopf kurz drücken, um auf die Einstellungen 7 BAND EQ zuzugreifen. Mit dem Drehgeber durch die EQ-Einstellungen blättern. (FLAT > ROCK > CLASSIC > ACOUSTIC > DANCE > ELECTRONIC > HIP-HOP > CUSTOM) Bei der Einrichtung von CUSTOM EQ den Drehgeber-Knopf kurz drücken, um die erste Frequenz einzustellen. Nach der Aktivierung den Drehgeber drehen und die Frequenzeinstellungen vornehmen. Den Drehgeber-Knopf erneut kurz drücken, um auf die nächste Frequenz zuzugreifen. Wiederholen, bis alle EQ-Einstellungen vorgenommen wurden. Zum Beenden die MENU-Taste kurz drücken und eine Ebene zurück gehen.

CROSSOVER

Kurz drücken, um auf die CROSSOVER-Einstellungen zuzugreifen. Mit dem Drehgeber die Optionen der CROSSOVER-Zonen auswählen (FRONT>REAR>SUB) (VORNE>HINTEN>SUB). Den Drehgeber kurz drücken, um die Crossover-Frequenz einzustellen (60Hz>80Hz>120Hz>APF). Zum Beenden MENU kurz drücken und eine Ebene zurück gehen.

PUNCH EQ

Kurz drücken, um auf die Einstellungen PUNCH EQ zuzugreifen. Mit dem Drehgeber die Ausgangsverstärkung (0-12) einstellen. Zum Beenden MENU kurz drücken und eine Ebene zurück gehen.

Punch EQ ist ein integrierter Entzerrer mit bis zu +18 dB @ 45 Hz und/oder bis zu +12 dB Boost bei 12,5 kHz.

AUX INPUT (AUX-EINGANG)

RENAME (Umbenennen) – Um AUX umbenennen, den Drehgeber-Knopf kurz drücken, um den ersten Buchstaben des neuen Namens einzugeben. Nach der Aktivierung den Drehgeber drehen, um die Buchstaben einzustellen. Den Drehgeber-Knopf erneut kurz drücken, um den nächsten Buchstaben einzustellen. Wiederholen, bis AUX umbenannt wurde. Zum Beenden MENU kurz drücken und eine Ebene zurück gehen.

ENABLE (Aktivieren) - Den Drehgeber-Knopf kurz drücken, um auf die Optionen zuzugreifen. Zum Auswählen den Drehgeber-Knopf drehen, wenn das Gerät sichtbar ist. (ENABLE > DISABLE)

SOURCE GAIN (Source-Verstärkung)

Zum Einstellen des Levels der Gerät-Eingangsverstärkung durch die Eingänge (FM TUNER>AM TUNER>USB>AUX1>AUX2>BLUETOOTH>PANDORA>SiriusXM>GLOBAL INPUT) zum Gerät blättern, das eingestellt werden soll, und den Drehgeber-Knopf kurz drücken, um auf die Verstärkungseinstellungen zuzugreifen. Den Drehgeber-Knopf auf den Verstärkungsniveau (-3dB > -2dB > -1dB > 0dB > +1dB > +2dB > +3dB) einstellen.

Die Auswahl der Option GLOBAL INPUT ermöglicht die gleichzeitige Anpassung aller Source-Dämpfungen (0dB>-3dB>-6dB>-9dB>-12dB>-15dB>-18dB).

INTERNAL AMPLIFIER (Interner Verstärker)

Kurz drücken, um auf die Einstellungen INTERNAL AMPLIFIER zuzugreifen. Mit dem Drehgeber die Optionen auswählen (ON>OFF). Wenn ein Verstärker für die Stromversorgung der Lautsprecher verwendet wird, OFF wählen. Wenn die Lautsprecher direkt vom Source-Gerät mit Strom versorgt werden, den INTERNAL AMPLIFIER auf ON einstellen.

VOLTAGE GAUGE (Spannungsmesser)

Zur Ansicht der Fahrzeugspannung den Drehgeber-Knopf auf der Option VOLTAGE GAUGE kurz drücken.

BT DEVICE PAIRING (BT-Geräte-Kopplung)

Den Drehgeber-Knopf kurz drücken, um auf die Optionen zuzugreifen (DISCOVERABLE > DEVICE) (Sichtbar > Gerät).

DISCOVERABLE (Sichtbar)

Zum Auswählen den Drehgeber-Knopf drehen, wenn das Gerät für die Kopplung sichtbar ist. (ENABLE > DISABLE) (Aktivieren > Deaktivieren) Nach der Aktivierung ist das Source-Gerät sichtbar und für die Kopplung mit dem Gerät bereit. Die Bluetooth-Einstellungen auf dem Gerät öffnen, um das Source-Gerät "Rockford PMX" zu finden und auszuwählen.

DEVICE (Gerät)

Die Auswahl von DEVICE (Gerät) durch kurzes Drücken des Drehgeber-Knopfes ermöglicht, das Source-Gerät mit bis zu 16 Zeichen umbenennen. Damit kann ein eindeutiger Name zur einfachen Identifikation während der Gerätekopplung eingerichtet werden. Den Drehgeber-Knopf kurz drücken, um das zu ändernde Zeichen auszuwählen und den Knopf drehen, um das Zeichen zu ändern. Den Vorgang wiederholen, bis der gewünschte Name eingerichtet ist.

BEEP (Signalton)

Den Drehgeber-Knopf kurz drücken, um auf die BEEP-Optionen zuzugreifen. Den Drehgeber-Knopf drehen, um den System-Signalton zu aktivieren (ON) oder deaktivieren (OFF).

TUNER REGION

Den Drehgeber-Knopf kurz drücken, um diese einzustellen. Den Drehgeber-Knopf drehen, um die bevorzugte TUNER REGION auszuwählen. (EUROPE > USA > RUSSIA > LATIN > ASIA > JAPAN > MIDEAST > AUSTRALIA).

SOFTWARE

VERSION - Den Drehgeber-Knopf kurz drücken, um die aktuelle Firmware-Version des Geräts anzuzeigen.

UPDATE (Aktualisieren) - Den Drehgeber-Knopf kurz drücken, um die Firmware zu aktualisieren. Den Anleitungen auf dem Bildschirm während der Aktualisierung folgen.

THEME (Design)

Zum Auswählen von THEME (Design) den Drehgeber-Knopf kurz drücken, um auf die Funktion zuzugreifen. Den Drehgeber-Knopf drehen, um das gewünschte THEME (Design) (DAY, NIGHT, AUTO) (Tag, Nacht, Auto) auszuwählen.

REMOTE SETUP (Fernrichtung)

Für den Zugriff auf die REMOTE SETUP Optionen (Fernrichtung) den Drehgeber-Knopf kurz drücken, um die verschiedenen Optionen anzuzeigen (HEAD UNIT INFO>PMX-BTUR SCAN>DISCONNECT>PMX-BTUR INFO> HEAD UNIT RESET).

Zum Koppeln des PMX-BTUR eine beliebige Taste auf der Fernbedienung drücken, um das Gerät zu aktivieren. Anschließend PMX-BTUR SCAN unter den REMOTE SETUP Optionen wählen. Sobald es die Fernbedienung erkennt, den Drehgeber-Knopf kurz drücken, um die Kopplung abzuschließen.

CLOCK/DATE (Uhrzeit/Datum)

Zum Auswählen von CLOCK/DATE (Uhrzeit/Datum) den Drehgeber-Knopf kurz drücken, um auf die Funktion zuzugreifen. Den Drehgeber-Knopf drehen, um die CLOCK/DATE Optionen (CLOCK/DATE SETTING>ALBUM ART DISPLAY) auszuwählen.

CLOCK/DATE-EINSTELLUNG (Uhrzeit/Datum)

Um die Anzeigepräferenz 12H/24H einzustellen, den Drehgeber-Knopf drehen und durch die Uhrzeit-Anzeigeeoptionen blättern. Den Drehgeber-Knopf drücken, um die Option auszuwählen und zu aktivieren.

Zur Einstellung der Uhrzeit den Drehgeber-Knopf auf die korrekte Uhrzeit drehen, den Drehgeber-Knopf drücken, um die Uhrzeit festzulegen, und den Vorgang für Minuten und Datum wiederholen.

ALBUM ART DISPLAY (Albumcover anzeigen)

Den Drehgeber-Knopf kurz drücken, um die gewünschte ALBUM ART DISPLAY Option (OFF>5S>10S>20S>ALWAYS) (Aus>5S>10S>20S>Immer) auszuwählen.

FACTORY DEFAULT (Werkseinstellung)

AUDIO – Den Drehgeber-Knopf kurz drücken, um diese einzustellen. Den Drehgeber-Knopf drehen, um YES/NO (Ja/Nein) auszuwählen. YES setzt das Gerät auf die Werkseinstellungen zurück.

SYSTEM – Den Drehgeber-Knopf kurz drücken, um diese einzustellen. Den Drehgeber-Knopf drehen, um YES/NO (Ja/Nein) auszuwählen. YES setzt das Gerät auf die Werkseinstellungen zurück.

SiriusXM – Den Drehgeber-Knopf kurz drücken, um dieses einzustellen. Den Drehgeber-Knopf drehen, um YES/NO (Ja/Nein) auszuwählen. YES setzt das Gerät auf die Werkseinstellungen zurück.

Grundlegende Funktionen

EIN- UND AUSSCHALTEN DES GERÄTS

Die SRC (Netzschalter)-Taste lange drücken, um das Gerät ein-(ON) oder auszuschalten (OFF).

EINSTELLUNG DER LAUTSTÄRKE

Den Drehgeber-Knopf nach links oder rechts auf die gewünschte Lautstärke (0-40) drehen. Die aktuelle Lautstärke wird während der Einstellung angezeigt.

EINSTELLUNG DES SUBWOOFER-AUSGANGS

Die Tasten SUB + oder SUB- drücken, um den Ausgangspegel einzustellen (0-20).

EINSTELLUNG DER BILDSCHIRM-HELLIGKEIT

Die Taste DIMMER kurz drücken, um die Helligkeit einzustellen. Es gibt zwei Helligkeitsstufen.

AUSWAHL EINER SOURCE FÜR DIE WIEDERGABE

Die SRC-Taste kurz drücken, um die verschiedenen Source-Optionen anzuzeigen (FM TUNER>AM TUNER>USB>AUX>BLUETOOTH>PANDORA>SiriusXM). Den Drehgeber-Knopf verwenden oder die SRC-Taste kurz drücken, um durch die Sources zu blättern.

Tuner-Betrieb (FM/AM)

Mit dem Drehgeber-Knopf die Tuner-Source wählen, der man zuhören möchte (FM>AM).

Für den AUTOMATISCHEN SUCHLAUF der Sender die Tasten FWD und REV kurz drücken. Für den MANUELLEN SUCHLAUF der Sender die Tasten FWD und REV zum Einstellen der gewünschten Frequenz lange drücken.

Um den TUNER auf MUTE (stumm) einzustellen, die Taste PLAY/ PAUSE kurz drücken.

FM BAND SETTINGS (FM-Band-Einstellungen)

Um auf FM BAND SETTINGS zuzugreifen, bei der Verwendung der Source FM TUNER kurz MENU drücken. Dies gibt Zugang zu den FM TUNER-spezifischen Einstellungen (FM>PRESETS>ADD PRESETS>REMOVE PRESETS>AUTO STORE>LOCAL).

PRESETS (Voreinstellungen)

Den Drehgeber-Knopf kurz drücken, um auf die PRESETS-Liste zuzugreifen. Mit dieser Funktion kann angezeigt werden, welche PRESETS auf dem Gerät gespeichert sind.

ADD PRESETS (Voreinstellungen hinzufügen)

Den Drehgeber-Knopf kurz drücken, um auf die Option ADD PRESETS zuzugreifen. Es muss sowohl der Sender als auch die PRESET-Gruppe angezeigt sein, die man zuerst hinzufügen möchte (FM1>FM2>FM3). Mit dieser Funktion kann man Sender auf dem Gerät speichern. Nach der Auswahl mit dem Drehgeber die PRESET-Nummer (1-6) wählen, auf der der Sender gespeichert werden soll.

REMOVE PRESETS (Voreinstellungen entfernen)

Den Drehgeber-Knopf kurz auf der Option REMOVE PRESETS drücken. Es muss die PRESET-Gruppe angezeigt sein, die man zuerst einstellen möchte (FM1>FM2>FM3). Mit dieser Funktion kann man gespeicherte Sender auf dem Gerät entfernen. Nach der Auswahl mit dem Drehgeber die PRESET-Nummer (1-6) des Senders wählen, der entfernt werden soll.

FM

Den Drehgeber-Knopf kurz drücken, um auf die Optionen FM PRESET (FM1>FM2>FM3) zuzugreifen. Mit dieser Funktion ist es möglich, getrennte Gruppen Tuner-Voreinstellungen zur Auswahl zu haben. Mit dem Drehgeber-Knopf durch die TUNER-Gruppen blättern und kurz drücken, um die Gruppe auszuwählen.

AUTO STORE (Automatische Speicherung)

Den Drehgeber-Knopf kurz drücken, um auf die Funktion AUTO STORE zuzugreifen. Es muss die PRESET-Gruppe angezeigt sein, die man zuerst einstellen möchte (FM1>FM2>FM3). Diese Funktion speichert die Voreinstellungen automatisch auf dem Gerät. Sie stoppt, wenn die Voreinstellungen 1-6 eingestellt sind. Die nächste PRESET-Gruppe wählen und wiederholen, um die nächste Serie einzustellen.

LOCAL (Lokal)

Den Drehgeber-Knopf kurz drücken, um auf die LOCAL-Optionen zuzugreifen. Nach der Auswahl mit dem Drehgeber ON oder OFF auswählen. Die LOCAL-Option stellt sich auf Radiosender in der Nähe ein, die ausreichend starke Signale für einen guten Empfang haben. In Gebieten mit schlechtem Empfang kann das Gerät durch Auswahl von Feineinstellung weiter entfernt gelegene Sender einstellen. Feineinstellung ist der Standard.

AM BAND SETTINGS (AM-Band-Einstellungen)

Um auf AM BAND SETTINGS zuzugreifen, bei der Verwendung der Source AM TUNER kurz MENU drücken. Dies gibt Zugang zu den AM TUNER-spezifischen Einstellungen (AM>PRESETS>ADD PRESETS>REMOVE PRESETS>AUTO STORE>LOCAL).

PRESETS (Voreinstellungen)

Den Drehgeber-Knopf kurz drücken, um auf die PRESETS-Liste zuzugreifen. Mit dieser Funktion kann angezeigt werden, welche PRESETS auf dem Gerät gespeichert sind.

ADD PRESETS (Voreinstellungen hinzufügen)

Den Drehgeber-Knopf kurz drücken, um auf die Option ADD PRESETS zuzugreifen. Es muss sowohl der Sender als auch die PRESET-Gruppe angezeigt sein, die man zuerst hinzufügen möchte (AM1>AM2). Mit dieser Funktion kann man Sender auf dem Gerät speichern. Nach der Auswahl mit dem Drehgeber die PRESET-Nummer (1-6) wählen, auf der der Sender gespeichert werden soll.

REMOVE PRESETS (Voreinstellungen entfernen)

Den Drehgeber-Knopf kurz auf der Option REMOVE PRESETS drücken. Es muss die PRESET-Gruppe angezeigt sein, die man zuerst einstellen möchte (AM1>AM2). Mit dieser Funktion kann man gespeicherte Sender auf dem Gerät entfernen. Nach der Auswahl mit dem Drehgeber die PRESET-Nummer (1-6) des Senders wählen, der entfernt werden soll.

AM

Den Drehgeber-Knopf kurz drücken, um auf die Optionen FM PRESET (AM1>AM2) zuzugreifen. Mit dieser Funktion ist es möglich, getrennte Gruppen Tuner-Voreinstellungen zur Auswahl zu haben. Mit dem Drehgeber-Knopf durch die TUNER-Gruppen blättern und kurz drücken, um die Gruppe auszuwählen.

AUTO STORE (Automatische Speicherung)

Den Drehgeber-Knopf kurz drücken, um auf die Funktion AUTO STORE zuzugreifen. Es muss die PRESET-Gruppe angezeigt sein, die man zuerst einstellen möchte (AM1>AM2). Diese Funktion speichert die Voreinstellungen automatisch auf dem Gerät. Sie stoppt, wenn die Voreinstellungen 1-6 eingestellt sind. Die nächste PRESET-Gruppe wählen und wiederholen, um die nächste Serie einzustellen.

LOCAL (Lokal)

Den Drehgeber-Knopf kurz drücken, um auf die LOCAL-Optionen zuzugreifen. Nach der Auswahl mit dem Drehgeber ON oder OFF auswählen. Die LOCAL-Option stellt sich auf Radiosender in der Nähe ein, die ausreichend starke Signale für einen guten Empfang haben. In Gebieten mit schlechtem Empfang kann das Gerät durch Auswahl von Feineinstellung weiter entfernt gelegene Sender einstellen. Feineinstellung ist der Standard.

USB (iPod)-Betrieb

Nachdem das Gerät an das Source-Gerät angeschlossen ist, kann über diese Funktion die Wiedergabe vom Gerät direkt über das Source-Gerät gesteuert werden. USB-Source-Option auf dem Source-Gerät wählen.

Für die Wiedergabe oder Pause eines Songs die Taste PLAY/PAUSE kurz drücken.

Um einen Titel vorwärts zu springen, die FWD-Taste kurz drücken. Um einen Titel rückwärts zu springen, die REV-Taste kurz drücken.

Für den Zugang zu spezifischen USB-Einstellungen die MENU-Taste für die Liste der Einstellungen (BROWSER>REPEAT>SHUFFLE) kurz drücken. Mit dem Drehgeber die zu ändernde Option wählen.

BROWSER

Den Drehgeber-Knopf kurz drücken, um auf die BROWSER-Optionen zuzugreifen (PLAYLISTS>ARTISTS>ALBUMS>GENRES>SONGS>COMPOSERS>AUDIOBOOKS>PODCASTS). Mit dieser Funktion können Titel oder Songs nach verschiedenen Typen von Kategorien durchsucht werden.

Um auf der Seite nach unten zu blättern, die Vorwärts- und Rückwärts-Tasten verwenden.

REPEAT (Wiederholen)

Den Drehgeber-Knopf kurz drücken, um auf die Optionen REPEAT (OFF>ONE>ALL) (AUS>EINE>ALLE) zuzugreifen.

SHUFFLE

Den Drehgeber-Knopf kurz drücken, um auf die Option SHUFFLE (OFF>ALL) (AUS>ALLE) zuzugreifen. Mit dieser Funktion kann die Shuffle-Präferenz für Titel oder Songs eingestellt werden.

HINWEIS: Bei Verwendung eines USB-Verlängerungskabels muss dieses ein Verlängerungskabel für die Stromversorgung von Rockford Fosgate sein. Die maximale Kabellänge beträgt 10 m.

AUX-Betrieb

Nachdem das Gerät an das Source-Gerät angeschlossen ist, kann über diese Funktion Musik über das Gerät wiedergegeben werden. Die Option AUX-Source auf dem Source-Gerät wählen und über das angeschlossene Gerät die Auswahl von Song/Titel, PLAY/PAUSE und Titel FWD/REV überspringen steuern.

Bluetooth® -Betrieb

Nachdem das Gerät an das Source-Gerät gekoppelt ist, kann über diese Funktion die Wiedergabe vom Gerät direkt über das Source-Gerät gesteuert werden. BLUETOOTH-Source-Option auf dem Source-Gerät wählen.

Für die Wiedergabe oder Pause eines Songs die Taste PLAY/PAUSE kurz drücken.

Um einen Titel vorwärts zu springen, die FWD-Taste kurz drücken. Um einen Titel rückwärts zu springen, die REV-Taste kurz drücken.

Für den Zugang zu spezifischen BLUETOOTH-Einstellungen die MENU-Taste für die Liste der Einstellungen (BROWSER>REPEAT>SHUFFLE) kurz drücken. Mit dem Drehgeber die zu ändernde Option wählen.

BROWSER

Den Drehgeber-Knopf kurz drücken, um auf die BROWSER-Optionen zuzugreifen (PLAYLISTS>ARTISTS>ALBUMS>GENRES>SONGS>COMPOSERS>AUDIOBOOKS>PODCASTS) (Wiedergabelisten>Künstler>Alben>Genres>Songs>Komponisten>Audiobücher>Podcasts). Mit dieser Funktion können Titel oder Songs nach verschiedenen Typen von Kategorien durchsucht werden.

REPEAT (Wiederholen)

Den Drehgeber-Knopf kurz drücken, um auf die Optionen REPEAT (OFF>ONE>ALL) (AUS>EINE>ALLE) zuzugreifen. Mit dieser Funktion kann die Präferenz für die Anzahl der Wiederholung von Titeln oder Songs eingestellt werden.

SHUFFLE

Den Drehgeber-Knopf kurz drücken, um auf die Option SHUFFLE (OFF>ALL) (AUS>ALLE) zuzugreifen. Mit dieser Funktion kann die Shuffle-Präferenz für Titel oder Songs eingestellt werden.

HINWEIS: Nach der ersten Kopplung des Geräts wird die Lautstärke des Geräts auf circa die Hälfte eingestellt sein. Die Lautstärke auf dem verbundenen Gerät muss vor der Einstellung der Lautstärke ganz hochgedreht werden. Das Gerät bleibt auf der maximalen Lautstärke nach der Anfangseinstellung und bei einer erneuten Kopplung mit dem Source-Gerät.

Pandora®

Mit dieser Funktion kann die App Pandora® direkt vom Source-Gerät gesteuert werden (Android-Nutzer können nur Bluetooth wählen, iOS-Nutzer können USB und Bluetooth wählen). Zuerst die App Pandora® auf dem Gerät starten, und anschließend die Source-Option Pandora® auf dem Source-Gerät wählen. Für die Funktion "Daumen nach oben" die Taste SUB+ lange drücken. Für die Funktion "Daumen nach unten" die Taste SUB- lange drücken.

Für die Wiedergabe oder Pause eines Songs die Taste PLAY/PAUSE kurz drücken.

Um einen Titel vorwärts zu springen, die FWD-Taste kurz drücken.

Für den Zugang zu spezifischen Pandora®-Einstellungen die MENU-Taste für die Liste der Einstellungen (STATIONS>BOOKMARKS>STATIONS MANAGE) (SENDER>LESEZEICHEN>SENDER MANAGEN) kurz drücken. Mit dem Drehgeber die zu ändernde Option wählen.

SENDER

Den Drehgeber-Knopf kurz drücken, um diese einzustellen. Den Drehgeber-Knopf drehen, um die Optionen zu wählen (SHUFFLE>SORT DATE/A-Z>STATIONS) (SHUFFLE>DATUM/A-Z SORTIEREN>SENDER). Die Auswahl der SHUFFLE-Option verwendet die zufällige Wiedergabe von Sendern, und die Auswahl der SORT-Funktion sortiert die Stationen nach hinzugefügtem Datum oder alphabetisch. Die gespeicherten Sender können auch dieser aus dieser Liste gewählt werden.

BOOKMARKS (Lesezeichen)

Um einem Künstler oder Titel in der Wiedergabe ein BOOKMARK hinzuzufügen, den Drehgeber-Knopf drehen, um die BOOKMARK-Optionen anzuzeigen (ARTIST>TRACK) (KÜNSTLER>TITEL). Die für das Lesezeichen gewünschte Option auswählen.

STATIONS MANAGE (Sender managen)

Um Sender einzurichten, den Drehgeber-Knopf kurz drücken, um die Optionen STATION MANAGE anzuzeigen (CREATE FROM ARTIST> CREATE FROM TRACK> CREATE FROM GENRE>DELETE). Die Auswahl der Option CREATE FROM ARTIST ermöglicht einen Sender vom Künstler zu erstellen, der gerade angehört wird. CREATE FROM TRACK funktioniert ähnlich durch die Erstellung eines Senders vom aktuell wiedergegebenen Titel. Bei der Erstellung eines Senders durch die Auswahl von CREATE FROM GENRE können die Musik-Genres für die Erstellung des Senders angegeben werden. DELETE löscht die aktuell wiedergegebene Station.

Pandora, das Pandora-Logo und die Pandora-Handelsform sind Marken oder eingetragene Marken von Pandora Media, Inc. Mit Genehmigung verwendet. Pandora ist nur in bestimmten Ländern verfügbar. Für weitere Informationen siehe <http://www.pandora.com/legal>.

SiriusXM®

Nur SiriusXM® bringt mehr von Ihren Lieblingstiteln, alles an einer Stelle. Über 140 Kanäle, einschließlich werbefreies Musikangebot plus das Neueste im Sport, Nachrichten, Talkshows, Comedy-Serien und Unterhaltung. Willkommen in der Welt des Satellitenradios. Ein SiriusXM Connect Tuner und Abonnement sind erforderlich. Weitere Informationen erhalten Sie unter www.siriusxm.com.

AKTIVIERUNG IHRES SIRIUSXM-ABONNEMENT

Nach der Installation des SiriusXM Connect Tuner und der Antenne das Source-Gerät einschalten und den SiriusXM-Modus wählen. Der SiriusXM Vorschau-Kanal sollte auf Kanal 1 zu hören sein. Sollten die Vorschau-Kanäle nicht zu hören sein, die Installationsanleitungen prüfen und sicherstellen, dass der SiriusXM Connect Tuner korrekt installiert wurde.

Nachdem der Vorschau-Kanal zu hören ist, den Kanal 0 einstellen, um die Radio-ID des Tuners zu finden. Die Radio-ID befindet sich auch auf der Unterseite des SiriusXM Connect Tuners und auf der Verpackung. Diese Nummer ist für die Aktivierung des Abonnements erforderlich. Diese Nummer notieren.

Hinweis: Die SiriusXM Radio-ID enthält nicht die Buchstaben I, O, S oder F.

In den USA kann das Abo online oder durch Anruf bei SiriusXM Listener Care aktiviert werden:

Besuchen Sie www.siriusxm.com/activatenow

Kontaktieren Sie SiriusXM Listener Care unter 1-866-635-2349.

Für kanadische Abonnements kontaktieren Sie bitte:

Besuchen Sie www.siriusxm.ca/activatexm.

Kontaktieren Sie XM Customer Care unter 1-877-438-9677.

Als Teil des Aktivierungsverfahrens sendet SiriusXM eine Aktivierungsnachricht an den Tuner. Sobald das Radio erkennt, dass der Tuner die Aktivierungsnachricht erhalten hat, zeigt das Radio an: "Subscription Updated" (Abonnement aktualisiert). Nach der Aktivierung können Kanäle im Abonnementpaket eingestellt werden. Bitte beachten, dass das Aktivierungsverfahren gewöhnlich 10 bis 15 Minuten und bis zu einer Stunde dauert. Das Radio muss eingestellt sein und das SiriusXM-Signal erhalten, um die Aktivierungsnachricht zu erhalten.

SETTINGS (Einstellungen)

Um auf SiriusXM SETTINGS zuzugreifen, bei der Verwendung der Source SiriusXM kurz MENU drücken. Dies gibt Zugang zu den SiriusXM-spezifischen Einstellungen (SXM>PRESETS>ADD PRESETS>REMOVE PRESETS>CHANNELS>CATEGORY).

SiriusXM PRESET BANDS (SXM)

Den Drehgeber-Knopf kurz drücken, um auf die Optionen SiriusXM PRESET (SXM1>SXM2>SXM3) zuzugreifen. Mit dieser Funktion ist es möglich, getrennte Gruppen der Satelliten-Voreinstellungen zur Auswahl zu haben. Mit den Tasten FWD und REV durch die TUNER-Gruppen blättern.

PRESETS (Voreinstellungen)

Den Drehgeber-Knopf kurz drücken, um auf die PRESETS-Liste zuzugreifen. Mit dieser Funktion kann angezeigt werden, welche PRESETS auf dem Gerät gespeichert sind.

ADD PRESETS (Voreinstellungen hinzufügen)

Den Drehgeber-Knopf kurz drücken, um auf die Option ADD PRESETS zuzugreifen. Es muss sowohl der Kanal als auch die PRESET-Gruppe angezeigt sein, die man zuerst hinzufügen möchte (SXM1>SXM2>SXM3). Mit dieser Funktion kann man Kanäle auf dem Gerät speichern. Nach der Auswahl mit dem Drehgeber die PRESET-Nummer (1-6) wählen, auf der der Kanal gespeichert werden soll.

REMOVE PRESETS (Voreinstellungen entfernen)

Den Drehgeber-Knopf kurz auf der Option REMOVE PRESETS drücken. Es muss die PRESET-Gruppe angezeigt sein, die man zuerst einstellen möchte (SXM1>SXM2>SXM3). Mit dieser Funktion kann man gespeicherte Kanäle auf dem Gerät entfernen. Nach der Auswahl mit dem Drehgeber die PRESET-Nummer (1-6) des Kanals wählen, der entfernt werden soll.

CHANNEL (Kanal)

Zur Auswahl dieser Funktion den Drehgeber-Knopf auf der Option CHANNEL kurz drücken. Diese Funktion zeigt die vollständige Liste der Kanäle an.

CATEGORY (Kategorie)

Zur Auswahl dieser Funktion den Drehgeber-Knopf auf der Option CATEGORY kurz drücken. Diese Funktion ermöglicht den Suchlauf der Kanäle nach Typ der CATEGORY.

DIRECT TUNING (Direktes Einstellen)

Zur Auswahl dieser Funktion den Drehgeber-Knopf auf der Option DIRECT TUNING kurz drücken. Mit dieser Funktion kann ein Kanal direkt eingestellt werden, wenn die Kanalnummer schon bekannt ist. Den Drehgeber bis zum gewünschten Nummernzeichen drehen und drücken, um die Auswahl einzugeben. Wiederholen, bis die Kanalnummer vollständig ist.

PARENTAL CONTROLS (Jugendschutz)

Zur Auswahl dieser Funktion den Drehgeber-Knopf auf der Option PARENTAL CONTROL kurz drücken. Mit dieser Funktion können Kanäle für Erwachsene einfach gesperrt und entsperrt werden. Zum Aktivieren dieser Funktion den Drehgeber auf PARENTAL CONTROLS kurz drücken. Man wird gefragt, einen Code für die Aktivierung einzugeben. "1111" für den Code eingeben. Nach der korrekten Eingabe des Codes erhält man Zugang zu den Funktionen PARENTAL CONTROL (LOCK CHANNELS=CHANGE MY CODE) (KANÄLE SPERREN=MEINEN CODE ÄNDERN). Mit dem Drehgeber-Knopf durch die Optionen blättern und zum Auswählen kurz drücken.

LOCK CHANNELS (Kanäle sperren)

Zur Auswahl dieser Funktion den Drehgeber-Knopf auf der Option LOCK CHANNELS kurz drücken. Mit dieser Funktion können bestimmte Kanäle zum Hören gesperrt werden. Beim Versuch, gesperrte Kanäle zu hören, muss der korrekte Zugangscode eingegeben werden, um diese zu entsperren. Den Code mit dem Drehgeber eingeben.

CHANGE MY CODE (Meinen Code ändern)

Den Drehgeber-Knopf auf die Option CHANGE MY CODE kurz drücken, um den Zugangscode PARENTAL CONTROL zurückzusetzen. Den Code mit dem Drehgeber eingeben.

Handsteuerung		PMX-HD9813-Steuerung									
		USB/MP3/WMA		AUX-IN		iPhone/iPod		BT-Audio		SiriusXM	
Kurz drücken	Lange drücken	Kurz drücken	Lange drücken	Kurz drücken	Lange drücken	Kurz drücken	Lange drücken	Kurz drücken	Lange drücken	Kurz drücken	Lange drücken
Lautstärke +	Lautstärke schnell +	Lautstärke +	Lautstärke schnell +	Lautstärke +	Lautstärke schnell +	Lautstärke +	Lautstärke schnell +	Lautstärke +	Lautstärke schnell +	Lautstärke +	Lautstärke schnell +
Lautstärke +	Lautstärke schnell -	Lautstärke -	Lautstärke schnell -	Lautstärke -	Lautstärke schnell -	Lautstärke -	Lautstärke schnell -	Lautstärke -	Lautstärke schnell -	Lautstärke -	Lautstärke schnell -
Play / Pause	Freisprechen *	Play / Pause (Eingeben)		MUTE (Eingeben)		Play / Pause (Eingeben)		MUTE (Eingeben)		MUTE (Eingeben)	
Vorheriger	Zurückspulen	Vorheriger	Zurückspulen	Vorheriger	Zurückspulen	Vorheriger	Zurückspulen	Vorheriger	Zurückspulen	Vorheriger	Zurückspulen
Weiter	Schnellvorlauf	Weiter	Schnellvorlauf	Weiter	Schnellvorlauf	Weiter	Schnellvorlauf	Weiter	Schnellvorlauf	Weiter	Schnellvorlauf
Anruf beantworten */Anruf beenden *	Anruf ablehnen * Siri *	SRC / Einschalten	Ausschalten	SRC / Einschalten	Ausschalten	SRC / Einschalten	Ausschalten	SRC / Einschalten	Ausschalten	SRC / Einschalten	Ausschalten

* Nur iOS

Symptom / Beschreibung	Diagnose	Lösung
Grund		
Source-Gerät kann nicht eingeschaltet werden.	Sicherung durchgebrannt	Die Sicherung des Geräts prüfen und ggf mit der richtigen Stärke ersetzen.
	Zündung des Fahrzeugs ist ausgestellt.	Falls nach den Anleitungen angeschlossen wird das Gerät bei ausgeschalteter Zündung nicht funktionieren.
	Die auf den roten Draht angelegte Spannung liegt nicht zwischen 10,5 und 16 Volt oder die Spannung ist unzureichend.	Batterie, Anschlüsse und Sicherungen überprüfen und reparieren oder nach Bedarf ersetzen. Wenn die Spannung über +16 Volt liegt, die Elektrik von einem autorisierten Servicezentrum prüfen lassen.
	Das Gerät ist nicht ordnungsgemäß gesichert	Die Kabel prüfen und ggf. reparieren.
Radio Tuner		
Tuner kann keine Sender einstellen	Keine Antenne oder unterbrochene oder offene Kabelverbindung	Alle Verbindungen prüfen und ggf. reparieren.
Sender im Such-Modus nicht einstellbar	Man befindet sich in einem Gebiet mit schwachem Signal	Sicherstellen, dass der Tuner-Modus LOC deaktiviert ist.
USB-Geräte		
USB-Gerät kann nicht eingeführt werden	Das USB-Gerät wurde in der falschen Richtung eingeführt	Nach Umkehrung der Verbindungsrichtung des USB-Geräts Einführung nochmals versuchen.
	Der USB-Geräteanschluss ist beschädigt	Durch ein neues USB-Gerät ersetzen.
USB-Gerät wird nicht erkannt	Das USB-Gerät ist beschädigt	Das USB-Gerät trennen und neu anschließen. Wenn das Gerät trotzdem nicht erkannt wird, es mit einem anderen USB-Gerät ersetzen. USB funktioniert nicht mit Android-Geräten.
	Anschlüsse sind lose	
Kein Ton hörbar mit der Display-Anzeige "No File"	Keine MP3/WMA-Dateien auf dem USB-Gerät gespeichert	Diese Dateien korrekt auf dem USB-Gerät speichern. USB funktioniert nicht mit Android-Geräten.
Tonsprünge oder Geräusche	MP3/WMA-Dateien wurden nicht korrekt erstellt	Korrekt erstellte MP3/WMA-Dateien verwenden.
AUX		
Keine Wiedergabe von MP3	Es ist ein Schreibfehler aufgetreten. Das MP3-Format ist nicht kompatibel.	Sicherstellen, dass das MP3 in einem unterstützten Format geschrieben wurde.
Bluetooth		
Bluetooth-Source-Lautstärke ist niedriger als andere Sources	Bluetooth vom Gerät ist nicht auf der maximalen Lautstärke	Lautstärke auf dem Gerät auf maximale Lautstärke einstellen

SiriusXM		
Antenne prüfen	Das Radio hat einen Fehler bei der SiriusXM-Antenne festgestellt. Das Antennenkabel kann getrennt oder beschädigt sein.	<p>Prüfen, dass das Antennenkabel am SiriusXM Connect Tuner angeschlossen ist.</p> <p>Das Antennenkabel auf Schäden und Knickstellen untersuchen. Die Antenne ersetzen, wenn das Kabel beschädigt ist.</p> <p>SiriusXM-Produkte sind beim lokalen Händler für Audioanlagen für das Auto oder online bei www.shop.siriusxm.com erhältlich.</p>
Tuner prüfen	Das Radio hat Schwierigkeiten, mit dem SiriusXM Connect Tuner zu kommunizieren. Der Tuner kann getrennt oder beschädigt sein.	Prüfen, dass das SiriusXM Connect Tuner-Kabel ordnungsgemäß am Radio angeschlossen ist.
Kein Signal	Der SiriusXM Connect Tuner hat Schwierigkeiten, das SiriusXM-Satellitensignal zu empfangen.	<p>Sicherstellen, dass das Fahrzeug im Freien ist und eine ungehinderte Sicht zum Himmel hat.</p> <p>Sicherstellen, dass die SiriusXM-Antenne mit Magnetfuß auf einer Metalloberfläche außen am Fahrzeug befestigt ist.</p> <p>Die SiriusXM-Antenne von Hindernissen weg bewegen.</p> <p>Das Antennenkabel auf Schäden und Knickstellen untersuchen.</p> <p>Weitere Informationen zur Installation der Antenne sind in der Einbauanleitung des SiriusXM Connect Tuner enthalten. Die Antenne ersetzen, wenn das Kabel beschädigt ist. SiriusXM-Produkte sind beim lokalen Händler für Audioanlagen für das Auto oder online bei www.shop.siriusxm.com erhältlich.</p>
Abonnement aktualisiert	Das Radio hat eine Änderung des SiriusXM-Abonnement-Status festgestellt. Den Drehgeber-Knopf drücken, um die Meldung zu löschen.	Bei Fragen zum Abonnement www.siriusxm.com besuchen oder 866-635-2349 in den USA oder 877-438-9677 in Kanada anrufen.
Kanal nicht verfügbar	Der angeforderte Kanal ist kein gültiger SiriusXM-Kanal oder der angehörte Kanal ist nicht mehr verfügbar. Diese Meldung wird auch kurz beim ersten Anschließen eines neuen SiriusXM Connect Tuners angezeigt.	Weitere Informationen über die Liste der SiriusXM-Kanäle finden Sie unter www.siriusxm.com .
Kanal nicht abonniert	Der angeforderte Kanal ist nicht im SiriusXM-Abo-Paket inbegriffen, oder der angehörte Kanal ist nicht mehr im SiriusXM-Abo-Paket inbegriffen.	Bei Fragen zum Abo-Paket oder zum Abonnieren dieses Kanals www.siriusxm.com besuchen oder 866-635-2349 in den USA oder 877-438-9677 in Kanada anrufen.
Kanal gesperrt	Der angeforderte Kanal ist durch die Funktion Parental Control (Jugendschutz) gesperrt. Für weitere Informationen zur Funktion Parental Control und den Zugang zu gesperrten Kanälen siehe Seite 10.	

Pulsante SRC (Alimentazione)

Questo pulsante consente di scegliere la fonte e accendere l'unità ON e spegnerla OFF

Encoder rotativo

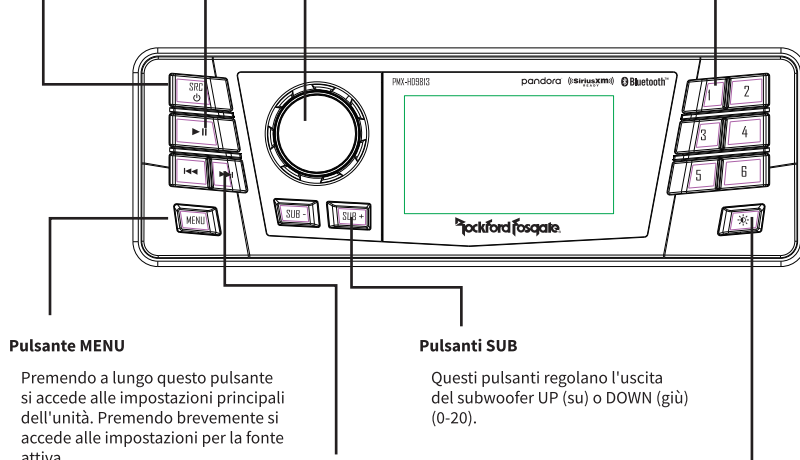
Con questa manopola si regola il volume principale, la navigazione del menu e la regolazione dell'impostazione.

Pulsante PLAY / PAUSE (Riproduzione/Pausa)

Premere questo pulsante per riprodurre o sospendere la musica. Questo pulsante ha anche la funzione MUTE per la disattivazione dell'audio quando la fonte è nella modalità AUX e TUNER.

Pulsanti PRESET (Predefiniti)

Con questi pulsanti si impostano i predefiniti e consentono l'accesso rapido dopo l'impostazione. Premere a lungo per memorizzare il canale, e premere brevemente per richiamare il canale.



Pulsante MENU

Premendo a lungo questo pulsante si accede alle impostazioni principali dell'unità. Premendo brevemente si accede alle impostazioni per la fonte attiva.

Pulsanti SUB

Questi pulsanti regolano l'uscita del subwoofer UP (su) o DOWN (giù) (0-20).

Pulsante REV / FWD (inversione / avanzamento)

Usare questo pulsante per saltare al canale o brano precedente o successivo premendo brevemente. Premendo a lungo si attiva la modalità di ricerca manuale.

Pulsante DIMMER (Reostato)

Questo pulsante consente di selezionare uno dei due valori di luminosità del display.

Contenuto

Unità di fonte	Manuale d'installazione e funzionamento
Cablaggio uscita RCA	

Considerazioni sull'installazione

Segue l'elenco di base degli strumenti necessari per l'installazione:

Multimetro Volt/Ohm	Punta Torx T-25
Chiave inglese per il polo della batteria	Chiave esagonale da 3/16 pollici

Questa sezione spiega alcune considerazioni relative al veicolo per l'installazione della nuova unità di fonte. La pianificazione della configurazione del sistema e dei migliori percorsi per il cablaggio ridurrà i tempi d'installazione. Nel decidere la configurazione del nuovo sistema accertarsi che ogni componente sarà facilmente accessibile per potere effettuare modifiche.

Se non siete sicuri come installare il sistema voi stessi, fatelo installare da un tecnico audio qualificato della Rockford.

Prima dell'installazione scollegate il terminale negativo (-) della batteria per prevenire danni all'unità, incendi e/o lesioni.

Prima di procedere con l'installazione seguire queste semplici regole:

Leggere attentamente le istruzioni e comprenderle prima di iniziare l'installazione dell'unità.

Per motivi di sicurezza staccare il terminale negativo della batteria prima di iniziare l'installazione.

Per facilitare l'assemblaggio consigliamo di passare tutti i cavi nella posizione d'installazione prima di montare l'unità.

Condurre tutti i cavi RCA vicini tra di loro e lontani dagli altri cavi ad alta tensione.

Usare connettori di alta qualità per un'installazione affidabile e per minimizzare la perdita di segnale o potenza.

Attenzione prima di trapanare! Attenzione a non tagliare o trapanare il serbatoio della benzina, le tubazioni del carburante, le linee freno o idrauliche, le linee da vuoto o i cavi elettrici quando si lavora su qualsiasi veicolo.

Mai passare i cavi sotto il veicolo. Si ottiene la protezione migliore facendo scorrere i cavi all'interno del veicolo.

Evitare di passare i cavi sopra o attraverso bordi taglienti. Usare guarnizioni in gomma o plastica per proteggere i cavi che si fanno passare attraverso il metallo, soprattutto la parete parafiamma.

Proteggere SEMPRE la batteria e il sistema elettrico da danni usando fusibili adatti. Installare fusibile e portafusibili adeguati sul cavo di alimentazione da +12V entro 45,7 cm dal terminale della batteria.

Quando si collega la messa a terra al telaio del veicolo, raschiare tutta la vernice dal metallo per garantire una connessione a terra pulita e salda. Le connessioni a terra dovrebbero essere più corte possibile e sempre connesse al metallo saldato alla carrozzeria principale o al telaio del veicolo. Mai usare i bulloni delle cinture di sicurezza per la connessione a terra.

Montaggio

Questa unità sostituisce il plug and play diretto per la radio di fabbrica.

Con il cacciavite Torx rimuovere le viti della carenatura, fissando la carenatura esterna alla moto. Ciò darà accesso alla radio di fabbrica.

Rimuovere le (4) viti di fabbrica che fissano la radio usando la chiave esagonale da 3/16 pollici. Ce ne sono (2) su ogni lato.

Staccare con cura il cablaggio di fabbrica e l'antenna dal retro della radio di fabbrica.

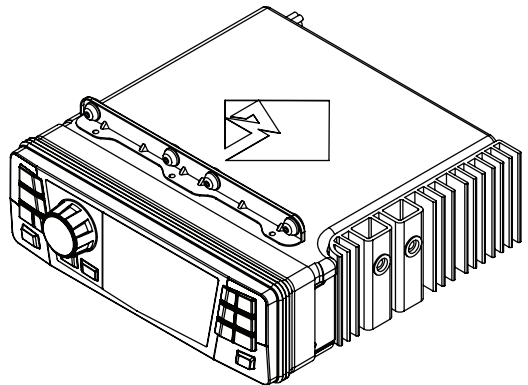
Rimuovere la radio tirando in avanti verso la parte frontale della motocicletta.

Infilare l'unità di fonte nel foro di montaggio della radio di fabbrica e fissarla con i dispositivi di fissaggio di fabbrica in uso.

Inserire il cablaggio di fabbrica e l'antenna nel retro della nuova unità.

Se si usa un amplificatore non Rockford Fosgate, inserire il cablaggio RCA nell'attacco.

Reinstallare la carenatura sulla moto.



Impostazioni dell'unità di fonte

Per accedere alle impostazioni dell'unità di fonte premere a lungo il pulsante MENU fino a visualizzare le opzioni. Ruotare il pulsante dell'encoder per scorrere attraverso l'elenco delle impostazioni e premere velocemente per selezionare l'impostazione che si desidera modificare. (BALANCE>FADER>AUDIO>VOLTAGE GAUGE>BT PAIRING>BEEP>TUNER REGION>SOFTWARE>THEME>REMOTE SETUP>CLOCK/DATE>FACTORY DEFAULT)

BALANCE (BILANCIAMENTO)

Premere brevemente il pulsante dell'encoder per accedere alle impostazioni per il regolamento di BALANCE. Ruotare il pulsante dell'encoder per impostare il bilanciamento dell'uscita.

FADER (ATTENUATORE)

Premere brevemente il pulsante dell'encoder per accedere alle impostazioni per il regolamento del FADER. Ruotare il pulsante dell'encoder per impostare il FADER dell'output.

AUDIO

Per accedere alle impostazioni AUDIO premere brevemente l'opzione AUDIO dalla schermata MENU. Ruotare l'encoder per scorrere attraverso l'elenco delle impostazioni e premere velocemente per selezionare l'impostazione che si desidera modificare. (7 BAND EQ>CROSSOVER>PEQ>REAR RCA>AUX INPUT>SOURCE GAIN>INTERNAL AMPLIFIER)

7 BAND EQ (EQ 7 BANDE)

Premere brevemente il pulsante dell'encoder per accedere alle impostazioni per 7 BAND EQ. Usare l'encoder rotativo per scorrere attraverso le impostazioni EQ. (FLAT > ROCK > CLASSIC > ACOUSTIC > DANCE > ELECTRONIC > HIP-HOP > CUSTOM) Per impostare CUSTOM EQ, premere brevemente il pulsante dell'encoder e impostare la prima frequenza. Una volta attivata, ruotare il pulsante dell'encoder per regolare le impostazioni della frequenza. Premere brevemente di nuovo il pulsante dell'encoder per accedere alla prossima frequenza. Ripetere fino a quando tutte le impostazioni EQ sono state completate. Premere brevemente il pulsante MENU per uscire e tornare indietro di un livello.

CROSSOVER

Premere brevemente per accedere alle impostazioni CROSSOVER. Usare l'encoder rotativo per selezionare le opzioni zona CROSSOVER (FRONT>REAR>SUB) (ANTER>POST>SUB). Premere brevemente l'encoder per regolare la frequenza del crossover (60Hz>80Hz>120Hz>APF). Premere brevemente il pulsante MENU per uscire e tornare indietro di un livello.

PUNCH EQ (Equalizzatore Punch)

Premere brevemente per accedere alle impostazioni PUNCH EQ. Usare l'encoder rotativo per regolare il guadagno di uscita (0-12). Premere brevemente il pulsante MENU per uscire e tornare indietro di un livello.

Punch EQ è un equalizzatore on-board con fino a +18 dB @ 45 Hz e/o fino a +12 dB boost a 12,5 kHz.

AUX INPUT

RENAME (Rinomina) – Per rinominare AUX premere brevemente il pulsante dell'encoder e digitare la prima lettera del nuovo nome. Una volta attivato, ruotare l'encoder per regolare le lettere. Premere brevemente di nuovo il pulsante dell'encoder per impostare la prossima lettera. Ripetere fino a quando AUX è stato rinominato. Premere brevemente il pulsante MENU per uscire e tornare indietro di un livello.

ENABLE (Attiva) - Premere brevemente il pulsante dell'encoder per accedere alle opzioni. Ruotare il pulsante dell'encoder per selezionare se l'unità è individuabile. (ENABLE > DISABLE) (Attiva > Disattiva)

SOURCE GAIN (Guadagno fonte)

Per regolare il livello del guadagno dell'ingresso del dispositivo scorrere attraverso gli input (FM TUNER>AM TUNER>USB>AUX1>AUX2>BLUETOOTH>PANDORA>SiriusXM>GLOBAL INPUT) fino al dispositivo che si desidera regolare, premere brevemente il pulsante dell'encoder per accedere alle impostazioni del guadagno. Ruotare il pulsante dell'encoder per impostare il livello di guadagno (-3dB > -2dB > -1dB > 0dB > +1dB > +2dB > +3dB).

La selezione dell'opzione GLOBAL INPUT consente di regolare tutte le attenuazioni di fonte simultaneamente (0dB>-3dB>-6dB>-9dB>-12dB>-15dB>-18dB).

INTERNAL AMPLIFIER (Amplificatore interno)

Premere brevemente per accedere alle opzioni INTERNAL AMPLIFIER. Usare l'encoder rotativo per selezionare le opzioni (ON>OFF) (Acceso>Spento). Quando si usa un amplificatore per alimentare gli altoparlanti selezionare OFF. Se gli altoparlanti sono alimentati direttamente dall'unità di fonte, impostare l'INTERNAL AMPLIFIER su ON.

VOLTAGE GAUGE (Calibro tensione)

Per visualizzare il voltaggio del veicolo, premere brevemente il pulsante dell'encoder sull'opzione VOLTAGE GAUGE.

BT DEVICE PAIRING (Appaiamento dispositivo BT)

Premere brevemente il pulsante dell'encoder per accedere alle opzioni (DISCOVERABLE > DEVICE).

DISCOVERABLE (Individuabile)

Ruotare il pulsante dell'encoder per selezionare se l'unità è individuabile per l'appaiamento. (ENABLE > DISABLE) (Attiva > Disattiva) Dopo essere stata attivata, l'unità di fonte è individuabile e pronta per l'appaiamento con il dispositivo. Aprire le impostazioni Bluetooth sul dispositivo per trovare l'unità di fonte con il nome "Rockford PMX" e selezionarla.

DEVICE (Dispositivo)

La selezione di DEVICE premendo brevemente il pulsante dell'encoder consente di rinominare l'unità di fonte con un nome fino a 16 caratteri. Ciò consente di avere un nome unico per identificare facilmente il dispositivo durante l'appaiamento. Premere velocemente il pulsante dell'encoder per selezionare la lettera da cambiare e ruotare la manopola per cambiare il valore. Ripetere la procedura fino all'impostazione completa del nome desiderato.

BEEP (Segnale acustico)

Premere brevemente il pulsante dell'encoder per accedere alle opzioni BEEP. Ruotare il pulsante dell'encoder per accedere ON o spegnere OFF il segnale acustico del sistema.

TUNER REGION (Regione tuner)

Per regolare premere brevemente il pulsante dell'encoder e accedere. Ruotare il pulsante dell'encoder per selezionare la TUNER REGION preferita. (EUROPE > USA > RUSSIA > LATIN > ASIA > JAPAN > MIDEAST > AUSTRALIA)

SOFTWARE

VERSION - Premere brevemente il pulsante dell'encoder per visualizzare la versione firmware dell'unità.

UPDATE - Premere brevemente il pulsante dell'encoder per aggiornare il firmware. Seguire le istruzioni sullo schermo durante l'aggiornamento.

THEME (Tema)

Per regolare l'impostazione THEME, premere brevemente il pulsante dell'encoder per accedere alla funzione. Ruotare il pulsante dell'encoder per selezionare il THEME desiderato (DAY, NIGHT, AUTO).

REMOTE SETUP (Impostazione remota)

Per accedere alle opzioni REMOTE SETUP premere brevemente il pulsante dell'encoder per visualizzare le varie opzioni (HEAD UNIT INFO>PMX-BTUR SCAN>DISCONNECT>PMX-BTUR INFO> HEAD UNIT RESET).

Per associare il PMX-BTUR premere qualsiasi pulsante sul telecomando per attivare il dispositivo. Quindi selezionare PMX-BTUR SCAN sotto le opzioni REMOTE SETUP. Una volta rilevato il telecomando, premere velocemente il pulsante dell'encoder per completare l'appaiamento.

CLOCK/DATE (Orologio/Data)

Per impostare CLOCK/DATE, premere brevemente il pulsante dell'encoder per accedere alla funzione. Ruotare il pulsante dell'encoder per selezionare le opzioni CLOCK/DATE (CLOCK/DATE SETTING>ALBUM ART DISPLAY).

IMPOSTAZIONE CLOCK/DATE (Orologio/Data)

To set the 12H/24H la visualizzazione preferita ruotare il pulsante dell'encoder per scorrere attraverso le opzioni di visualizzazione dell'ora. Premere il pulsante dell'encoder per selezionare e attivare l'opzione.

Per cambiare l'ora, ruotare il pulsante dell'encoder sull'ora corretta, premere il pulsante dell'encoder per fissare l'ora, e ripetere per i minuti e la data.

ALBUM ART DISPLAY (Visualizzazione copertina album)

Premere brevemente il pulsante dell'encoder per selezionare l'opzione ALBUM ART DISPLAY desiderata (OFF>5S>10S>20S>ALWAYS).

FACTORY DEFAULT (Impostazioni predefinite)

AUDIO – Per accedere premere brevemente il pulsante dell'encoder. Ruotare il pulsante dell'encoder per selezionare YES/NO (Sì/No). Selezionando YES l'unità verrà reimpostata alle impostazioni predefinite.

SYSTEM - Per accedere premere brevemente il pulsante dell'encoder. Ruotare il pulsante dell'encoder per selezionare YES/NO (Sì/No). Selezionando YES l'unità verrà reimpostata alle impostazioni predefinite.

SiriusXM – Per accedere premere brevemente il pulsante dell'encoder. Ruotare il pulsante dell'encoder per selezionare YES/NO (Sì/No). Selezionando YES l'unità verrà reimpostata alle impostazioni predefinite.

Funzionamento di base

ACCENDERE E SPEGNERE L'UNITÀ ON/OFF

Premere a lungo il pulsante SRC (alimentazione) per accendere ON o spegnere OFF l'unità.

REGOLARE IL VOLUME

Ruotare la manopola dell'encoder verso sinistra o verso destra per selezionare il livello di volume desiderato (0-40). Il livello di volume attuale è visualizzato durante il regolamento.

REGOLARE L'USCITA DEL SUBWOOFER

Premere i pulsanti SUB+ o SUB- per regolare il livello di uscita (0-20).

REGOLARE LA LUMINOSITÀ DELLO SCHERMO

Premere brevemente il pulsante DIMMER per regolare il livello di luminosità. Ci sono due livelli di luminosità.

SELEZIONARE UNA FONTE PER LA RIPRODUZIONE

Premere brevemente il pulsante SRC per visualizzare le varie fonti (FM TUNER>AM TUNER>USB>AUX>BLUETOOTH>PANDORA>SiriusXM). Usare l'encoder rotativo o premere brevemente il pulsante SRC per scorrere attraverso le fonti.

Funzionamento del tuner (FM/AM)

Per il funzionamento usare l'encoder rotativo per selezionare la fonte tuner che si desidera ascoltare (FM/AM).

Per LA RICERCA AUTOMATICA delle stazioni, premere i pulsanti FWD (avanzamento) e REV (inversione). Per LA RICERCA MANUALE delle stazioni, premere a lungo i pulsanti FWD (avanzamento) e REV (inversione) per sintonizzare la frequenza desiderata.

Per disattivare l'audio MUTE del TUNER, premere brevemente il pulsante PLAY/PAUSE (Riproduzione/Pausa).

IMPOSTAZIONI DELLA BANDA FM

Per accedere alle impostazioni della banda FM BAND SETTINGS, premere brevemente il MENU durante l'uso della fonte FM TUNER. Questo dà accesso alle impostazioni specifiche del FM TUNER (FM>PRESETS>ADD PRESETS>REMOVE PRESETS>AUTO STORE>LOCAL) (FM>PREDEFINITI>AGGIUNGI PREDEFINITI>RIMUOVI PREDEFINITI>SALVATAGGIO AUTOM>LOCALE).

PRESETS (Predefiniti)

Premere brevemente il pulsante dell'encoder per accedere all'elenco PRESETS. Questa funzione consente di visualizzare i PRESETS salvati sull'unità.

ADD PRESETS (Aggiungi predefiniti)

Premere brevemente il pulsante dell'encoder sull'opzione ADD PRESETS. Bisogna essere sia sulla stazione sia sul gruppo PRESET che si desidera aggiungere prima (FM1>FM2>FM3). Questa funzione consente di salvare le stazioni sull'unità. Dopo la selezione usare l'encoder rotativo per selezionare il numero PRESET (1-6) sul quale si desidera salvare la stazione.

REMOVE PRESETS (Rimuovi predefiniti)

Premere brevemente il pulsante dell'encoder sull'opzione REMOVE PRESETS. Bisogna essere sul gruppo PRESET che si desidera regolare prima (FM1>FM2>FM3). Questa funzione consente di rimuovere le stazioni salvate sull'unità. Dopo la selezione usare l'encoder rotativo per selezionare il numero PRESET (1-6) della stazione che si desidera rimuovere.

FM

Premere brevemente il pulsante dell'encoder per accedere alle opzioni FM PRESET (FM1>FM2>FM3). Questa funzione consente di avere gruppi predefiniti distinti del tuner dai quali selezionare. Usare il pulsante dell'encoder rotativo per scorrere attraverso i gruppi TUNER, e premere brevemente per selezionare il gruppo.

AUTO STORE (Salvataggio automatico)

Premere brevemente il pulsante dell'encoder per accedere alla funzione AUTO STORE. Bisogna essere sul gruppo PRESET che si desidera regolare prima (FM1>FM2>FM3). Questa funzione salva automaticamente i predefiniti sull'unità. Si ferma quando

Funzionamento

i predefiniti 1-6 sono impostati. Selezionare il prossimo gruppo PRESET e ripetere per completare il prossimo set.

LOCAL (Locale)

Premere brevemente il pulsante dell'encoder per accedere alle opzioni LOCAL. Dopo la selezione usare l'encoder rotativo per selezionare ON o OFF. L'opzione locale sintonizza sulle stazioni radio vicine con segnali sufficientemente forti per una buona ricezione. In zone con una scarsa ricezione cambiando alla sintonizzazione a distanza consente all'unità di sintonizzarsi su stazioni più distanti. La sintonizzazione a distanza è l'impostazione predefinita.

IMPOSTAZIONI DELLA BANDA AM

Per accedere alle impostazioni della banda AM BAND SETTINGS, premere brevemente il MENU durante l'uso della fonte AM TUNER. Questo dà accesso alle impostazioni specifiche del AM TUNER (AM>PRESETS>ADD PRESETS>REMOVE PRESETS>AUTO STORE>LOCAL) (AM>PREDEFINITI>AGGIUNGI PREDEFINITI>RIMUOVI PREDEFINITI>SALVATAGGIO AUTOM>LOCALE).

PRESETS (Predefiniti)

Premere brevemente il pulsante dell'encoder per accedere all'elenco PRESETS. Questa funzione consente di visualizzare i PRESETS salvati sull'unità.

ADD PRESETS (Aggiungi predefiniti)

Premere brevemente il pulsante dell'encoder sull'opzione ADD PRESETS. Bisogna essere sia sulla stazione sia sul gruppo PRESET che si desidera aggiungere prima (AM1>AM2). Questa funzione consente di salvare le stazioni sull'unità. Dopo la selezione usare l'encoder rotativo per selezionare il numero PRESET (1-6) sul quale si desidera salvare la stazione.

REMOVE PRESETS (Rimuovi predefiniti)

Premere brevemente il pulsante dell'encoder sull'opzione REMOVE PRESETS. Bisogna essere sul gruppo PRESET che si desidera regolare prima (AM1>AM2). Questa funzione consente di rimuovere le stazioni salvate sull'unità. Dopo la selezione usare l'encoder rotativo per selezionare il numero PRESET (1-6) della stazione che si desidera rimuovere.

AM

Premere brevemente il pulsante dell'encoder per accedere alle opzioni FM PRESET (AM1>AM2). Questa funzione consente di avere gruppi predefiniti distinti del tuner dai quali selezionare. Usare il pulsante dell'encoder rotativo per scorrere attraverso i gruppi TUNER, e premere brevemente per selezionare il gruppo.

AUTO STORE (Salvataggio automatico)

Premere brevemente il pulsante dell'encoder per accedere alla funzione AUTO STORE. Bisogna essere sul gruppo PRESET che si desidera regolare prima (AM1>AM2). Questa funzione salva automaticamente i predefiniti sull'unità. Si ferma quando i predefiniti 1-6 sono impostati. Selezionare il prossimo gruppo PRESET e ripetere per completare il prossimo set.

LOCAL (Locale)

Premere brevemente il pulsante dell'encoder per accedere alle opzioni LOCAL. Dopo la selezione usare l'encoder rotativo per selezionare ON o OFF. L'opzione locale sintonizza sulle stazioni radio vicine con segnali sufficientemente forti per una buona ricezione. In zone con una scarsa ricezione cambiando alla sintonizzazione a distanza consente all'unità di sintonizzarsi su stazioni più distanti. La sintonizzazione a distanza è l'impostazione predefinita.

Funzionamento USB (iPod)

Dopo avere collegato il dispositivo all'unità di fonte, questa funzione consente di controllare la riproduzione dal dispositivo direttamente dall'unità. Selezionare l'opzione fonte USB sull'unità di fonte.

Per riprodurre o sospendere un brano, premere brevemente il pulsante PLAY/PAUSE.

Per saltare avanti di un brano, premere brevemente il pulsante FWD. Per saltare indietro di un brano, premere brevemente il pulsante REV.

Per accedere alle impostazioni specifiche USB, premere brevemente il pulsante MENU per l'elenco delle impostazioni (BROWSER>REPEAT>SHUFFLE). Usare l'encoder per selezionare l'opzione da modificare.

BROWSER

Premere brevemente il pulsante dell'encoder per accedere alle opzioni BROWSER (PLAYLISTS>ARTISTS>ALBUMS>GENRES>SONGS>COMPOSERS>AUDIOBOOKS>PODCASTS. Questa funzione consente di ricercare tracce o brani in base a vari tipi di categoria.

Per scorrere verso il basso della pagina, usare i pulsanti per il brano successivo o il brano precedente.

REPEAT (Ripeti)

Premere brevemente il pulsante dell'encoder per accedere alle opzioni della funzione REPEAT (OFF>ONE>ALL) (Disattiva>Uno>Tutti).

SHUFFLE (Riproduzione casuale)

Premere brevemente il pulsante dell'encoder per accedere alle opzioni della funzione SHUFFLE (OFF>ALL) (Disattiva>Tutti). Questa funzione consente di impostare le preferenze riguardo la riproduzione casuale di tracce o brani.

NOTA: Se si usa un cavo di prolunga, dev'essere un cavo di alimentazione prolunga Rockford Fosgate. La lunghezza massima del cavo è di 10 m.

Funzionamento AUX

Dopo avere collegato il dispositivo all'unità di fonte, questa funzione consente di riprodurre la musica dal dispositivo. Selezionare l'opzione di fonte AUX sull'unità di fonte e usare il dispositivo collegato per scegliere la selezione di brani/tracce, PLAY/PAUSE (riproduzione/pausa) e saltare la traccia FWD/REV.

Funzionamento Bluetooth®

Dopo avere effettuato il pairing del dispositivo con l'unità di fonte, questa funzione consente di controllare la riproduzione dal dispositivo direttamente dall'unità. Selezionare l'opzione fonte BLUETOOTH sull'unità di fonte.

Per riprodurre o sospendere un brano, premere brevemente il pulsante PLAY/PAUSE.

Per saltare avanti di un brano, premere brevemente il pulsante FWD. Per saltare indietro di un brano, premere brevemente il pulsante REV.

Per accedere alle impostazioni specifiche BLUETOOTH, premere brevemente il pulsante MENU per l'elenco delle impostazioni (BROWSER>REPEAT>SHUFFLE) (Browser>Ripeti>Riproduzione casuale). Usare l'encoder per selezionare l'opzione da modificare.

BROWSER

Premere brevemente il pulsante dell'encoder per accedere alle opzioni BROWSER (PLAYLISTS>ARTISTS>ALBUMS>GENRES>SONGS>COMPOSERS>AUDIOBOOKS>PODCASTS) (Playlist>Artisti>Album>Generi>Brani>Compositori>Libri audio>Podcast). Questa funzione consente di ricercare tracce o brani in base a vari tipi di categoria.

REPEAT (Ripeti)

Premere brevemente il pulsante dell'encoder per accedere alle opzioni della funzione REPEAT (OFF>ONE>ALL) (Disattiva>Uno>Tutti). Questa funzione consente di impostare le preferenze riguardo il numero di volte che una traccia o un brano verrà ripetuto.

SHUFFLE (Riproduzione casuale)

Premere brevemente il pulsante dell'encoder per accedere alle opzioni della funzione SHUFFLE (OFF>ONE>ALL) (Disattiva>Tutti). Questa funzione consente di impostare le preferenze riguardo la riproduzione casuale di tracce o brani.

NOTA: Dopo l'appaiamento iniziale del dispositivo il volume sul dispositivo sarà a circa metà volume. Sarà necessario alzare il volume al massimo sul dispositivo connesso prima di impostare il livello. Il dispositivo rimarrà al volume massimo dopo l'impostazione iniziale e quando si riappaia all'unità di fonte.

Pandora®

Questa funzione consente di controllare l'app Pandora® direttamente dall'unità di fonte (gli utenti Android devono usare Bluetooth, gli utenti iOS possono usare sia USB sia Bluetooth). Occorre prima avviare l'app Pandora® sul dispositivo, e quindi selezionare l'opzione fonte Pandora® sull'unità di fonte. Per usare la funzione "Pollice su" premere a lungo il pulsante SUB+. Per usare la funzione "Pollice giù" premere a lungo il pulsante SUB-.

Per riprodurre o sospendere un brano, premere brevemente il pulsante PLAY/PAUSE.

Per saltare avanti di un brano, premere brevemente il pulsante FWD.

Per accedere alle impostazioni specifiche Pandora®, premere brevemente il pulsante MENU per l'elenco delle impostazioni (STATIONS>BOOKMARKS>STATIONS MANAGE) (Stazioni>Segnalibri>Gestisci stazioni). Usare l'encoder per selezionare l'opzione da modificare.

STAZIONI

Per regolare premere brevemente il pulsante dell'encoder e accedere. Ruotare il pulsante dell'encoder per selezionare le opzioni (SHUFFLE>SORT DATE/A-Z>STATIONS) (Riproduzione casuale>Ordine per data/A-Z>Stazioni). Selezionando l'opzione SHUFFLE le stazioni verranno riprodotte casualmente, e selezionando l'opzione SORT le stazioni verranno ordinate per data di aggiunta o alfabeticamente. Si possono anche selezionare le stazioni salvate direttamente da questo elenco.

BOOKMARKS (Segnalibri)

Per aggiungere un segnalibro a un artista o una traccia riprodotta, premere brevemente il pulsante dell'encoder per visualizzare le opzioni BOOKMARK (ARTIST>TRACK) (Artista>Traccia). Selezionare l'opzione che si desidera usare per i segnalibri.

STATIONS MANAGE (Gestisci stazioni)

Per creare stazioni premere brevemente il pulsante dell'encoder per visualizzare le opzioni STATION MANAGE (CREATE FROM ARTIST> CREATE FROM TRACK> CREATE FROM GENRE>DELETE) (Crea da artista> Crea da traccia> Crea da genere>Cancella). Selezionando CREATE FROM ARTIST OPTION (opzione Crea da artista) consente di creare una stazione dell'artista che si sta ascoltando. CREATE FROM TRACK (Crea da traccia) funziona in modo simile creando una stazione dalla traccia attualmente riprodotta. Se la stazione è stata creata selezionando CREATE FROM GENRE (Crea da genere), sarà possibile selezionare i generi di musica da scegliere per creare la stazione. Selezionando DELETE (Cancella) verrà cancellata la stazione riprodotta attualmente.

Pandora, il logo Pandora e il marchio commerciale Pandora sono marchi o marchi registrati di Pandora Media, Inc. Usati con permesso. Pandora è disponibile solo in alcuni paesi. Visitare <http://www.pandora.com/legal> per ulteriori informazioni.

SiriusXM®

Solo SiriusXM® ti porta più di quello che vuoi ascoltare, tutto in un unico posto. Accedi a più di 140 canali, compreso musica senza pubblicità e il meglio di sport, notizie, interviste, serie comedy e intrattenimento. Benvenuto nel mondo della radio satellitare. Sono richiesti SiriusXM Connect Tuner e l'abbonamento. Per maggiori informazioni visitare www.siriusxm.com.

ATTIVARE L'ABBONAMENTO SiriusXM

Dopo l'installazione di SiriusXM Connect Tuner e antenna, accendere l'unità di fonte e selezionare la modalità SiriusXM. Si dovrebbe potere ascoltare il canale SiriusXM Preview su Canale 1. Se non si riesce ad ascoltare i canali in anteprima Preview, controllare le istruzioni per l'installazione e accertarsi che SiriusXM Connect Tuner sia installato correttamente.

Una volta che il canale Preview funziona e lo si può ascoltare, sintonizzarsi sul Canale 0 per trovare la Radio ID del tuner. La Radio ID si trova anche sul fondo di SiriusXM Connect Tuner e della confezione. Per attivare l'abbonamento occorre questo numero. Segnare il numero come riferimento.

Nota: SiriusXM Radio ID non include le lettere I, O, S o F.

Negli USA è possibile attivare online o chiamando il servizio SiriusXM Listener Care:

Visitare www.siriusxm.com/activatenow

Chiamare SiriusXM Listener Care al 1-866-635-2349

Per gli abbonati in Canada preghiamo di contattare:

Visitare www.siriusxm.ca/activatexm

Chiamare XM Customer Care al 1-877-438-9677

Durante il processo di attivazione i satelliti SiriusXM inviano un messaggio di attivazione al tuner. Quando la radio rileva che il tuner ha ricevuto il messaggio di attivazione, il display della radio visualizza: "Subscription Updated" (Abbonamento aggiornato). Una volta abbonati è possibile sintonizzarsi sui canali del programma di abbonamento. Si prega di notare che il processo di attivazione generalmente richiede 10-15 minuti, ma può anche durare un'ora. Occorrerà riaccendere la radio e ricevere il segnale SiriusXM per ricevere il messaggio di attivazione.

SETTINGS (IMPOSTAZIONI)

Per accedere alle impostazioni della banda SiriusXM SETTINGS, premere brevemente il MENU durante l'uso della fonte SiriusXM. Questo dà accesso alle impostazioni specifiche di SiriusXM (SXM>PRESETS>ADD PRESETS>REMOVE PRESETS>CHANNELS>CATEGORY) (SXM>Predefiniti>Aggiungi predefiniti>Rimuovi predefiniti>Canali>Categoria).

BANDE SiriusXM PRESET (SXM)

Premere brevemente il pulsante dell'encoder per accedere alle opzioni SiriusXM PRESET (SXM1>SXM2>SXM3). Questa funzione consente di avere gruppi predefiniti distinti del satellite dai quali selezionare. Usare i pulsanti FWD e REV per scorrere attraverso i gruppi TUNER.

PRESETS (Predefiniti)

Premere brevemente il pulsante dell'encoder per accedere all'elenco PRESETS. Questa funzione consente di visualizzare i PRESETS salvati sull'unità.

ADD PRESETS (Aggiungi predefiniti)

Premere brevemente il pulsante dell'encoder sull'opzione ADD PRESETS. Bisogna essere sia sul canale sia sul gruppo PRESET che si desidera aggiungere prima (SXM1>SXM2>SXM3). Questa funzione consente di salvare i canali sull'unità. Dopo la selezione usare l'encoder rotativo per selezionare il numero PRESET (1-6) sul quale si desidera salvare il canale.

REMOVE PRESETS (Rimuovi predefiniti)

Premere brevemente il pulsante dell'encoder sull'opzione REMOVE PRESETS. Bisogna essere sul gruppo PRESET che si desidera regolare prima (SXM1>SXM2>SXM3). Questa funzione consente di rimuovere i canali salvati sull'unità. Dopo la selezione usare l'encoder rotativo per selezionare il numero PRESET (1-6) del canale che si desidera rimuovere.

CHANNEL (Canale)

Premere brevemente il pulsante dell'encoder sull'opzione CHANNEL per selezionare questa funzione. Questa funzione visualizza l'elenco intero dei canali.

CATEGORY (Categoria)

Premere brevemente il pulsante dell'encoder sull'opzione CATEGORY per selezionare questa funzione. Questa funzione consente di ricercare i canali in base al tipo di CATEGORY.

DIRECT TUNING (Sintonizzazione diretta)

Premere brevemente il pulsante dell'encoder sull'opzione DIRECT TUNING per selezionare questa funzione. Questa funzione consente di sintonizzarsi direttamente su un canale se si conosce già il numero del canale. Ruotare l'encoder fino al numero desiderato e premere per digitare la selezione. Ripetere fino a quando il numero del canale è completato.

PARENTAL CONTROLS (Controllo genitori)

Premere brevemente il pulsante dell'encoder sull'opzione PARENTAL CONTROL per selezionare questa funzione. Questa funzione consente di bloccare e sbloccare facilmente canali con contenuti per adulti. Per attivare questa funzione, premere brevemente l'encoder su PARENTAL CONTROLS per selezionarla. Occorre digitare un codice per attivarla. Digitare il codice "1111". Dopo l'immissione del codice corretto si avrà accesso alle funzioni PARENTAL CONTROL (LOCK CHANNELS>CHANGE MY CODE) (Blocca canali>Cambia il mio codice). Usare la manopola dell'encoder rotativo per scorrere attraverso le opzioni e premere brevemente per selezionare.

LOCK CHANNELS (Blocca canali)

Premere brevemente il pulsante dell'encoder sull'opzione LOCK CHANNELS per selezionare questa funzione. Questa funzione consente di selezionare determinati canali da bloccare per l'ascolto. Per potere ascoltare i canali bloccati occorre digitare il codice di accesso corretto. Usare l'encoder rotativo per immettere il codice.

CHANGE MY CODE (Cambia il mio codice)

Premere brevemente il pulsante dell'encoder sull'opzione CHANGE MY CODE per reimpostare il codice di accesso PARENTAL CONTROL. Usare l'encoder rotativo per immettere il codice.

Comandi cellulare		Comandi PMX-HD9813									
		USB/MP3/WMA		AUX-IN		iPhone/iPod		BT Audio		SiriusXM	
Premere brevemente	Premere a lungo	Premere brevemente	Premere a lungo	Premere brevemente	Premere a lungo	Premere brevemente	Premere a lungo	Premere brevemente	Premere a lungo	Premere brevemente	Premere a lungo
Volume +	Aumentare velocemente volume +	Volume +	Aumentare velocemente volume +	Volume +	Aumentare velocemente volume +	Volume +	Aumentare velocemente volume +	Volume +	Aumentare velocemente volume +	Volume +	Aumentare velocemente volume +
Volume +	Ridurre velocemente volume -	Volume -	Ridurre velocemente volume -	Volume +	Ridurre velocemente volume -	Volume -	Ridurre velocemente volume -	Volume -	Ridurre velocemente volume -	Volume -	Ridurre velocemente volume -
Play / Pause	Vivavoce *	Play / Pause (Digitare)		MUTE (Digitare)		Play / Pause (Digitare)		MUTE (Digitare)		MUTE (Digitare)	
Precedente	Riavvolgi	Precedente	Riavvolgi	Precedente	Riavvolgi	Precedente	Riavvolgi	Precedente	Riavvolgi	Precedente	Riavvolgi
Successivo	Avanzamento rapido	Successivo	Avanzamento rapido	Successivo	Avanzamento rapido	Successivo	Avanzamento rapido	Successivo	Avanzamento rapido	Successivo	Avanzamento rapido
Rispondi chiamata * / Chiudi chiamata *	Rifiuta chiamata * / Siri *	SRC / Accendi	Spegni	SRC / Accendi	Spegni	SRC / Accendi	Spegni	SRC / Accendi	Spegni	SRC / Accendi	Spegni

* Solo iOS

Risoluzione dei problemi

Sintomo / Descrizione	Diagnosi	Soluzione
Di base		
L'unità di fonte non si accende.	Fusibile bruciato	Controllare il fusibile sull'unità, cambiarlo con la portata corretta.
	L'accensione del veicolo è spenta	Se collegata seguendo le istruzioni, l'unità non funzionerà con l'accensione spenta.
	La tensione applicata al cavo rosso non è tra 10,5 e 16 Volt o non vi è tensione presente.	Controllare la batteria, i collegamenti e i fusibili e riparare o cambiare se necessario. Se la tensione supera +16 volt, fare ispezionare il sistema da un centro di assistenza autorizzato.
	L'unità non ha la messa a terra adeguata	Controllare i cavi e riparare se necessario.
Tuner Radio		
Il tuner non si sintonizza su nessuna stazione	Non c'è l'antenna, oppure collegamento sconnesso o aperto nel cavo	Controllare tutti i collegamenti e riparare se necessario.
Impossibile sintonizzare stazioni nella modalità di ricerca	Zona con segnale debole	Accertarsi che la modalità LOC del tuner sia spenta (OFF).
Dispositivi USB		
Impossibile inserire il dispositivo USB	Il dispositivo USB è stato inserito nella direzione sbagliata	Invertire la direzione di collegamento del dispositivo USB e provare a reinserirlo.
	Il connettore del dispositivo USB è rotto	Sostituire con un nuovo dispositivo USB.
Dispositivo USB non riconosciuto	Il dispositivo USB è danneggiato.	Disconnettere il dispositivo USB e riconnetterlo. Se il dispositivo USB continua a non essere riconosciuto, sostituirlo con un altro dispositivo USB. USB non funziona con dispositivi Android.
	I connettori sono allentati.	
Non vi è suono con il display visualizzato "No File"	Sul dispositivo USB non ci sono file MP3/WMA salvati.	Salvare questi file correttamente sul dispositivo USB. USB non funziona con dispositivi Android.
Il suono salta o è rumoroso	I file MP3/WMA non sono stati creati correttamente.	Usare i file MP3/WMA che sono codificati correttamente.
AUX		
MP3 non viene riprodotto	Errore di scrittura. Il formato MP3 non è compatibile.	Accertarsi che l'MP3 sia stato scritto in un formato supportato.
Bluetooth		
Il volume della fonte Bluetooth è più basso di altre fonti	Bluetooth dal dispositivo non è al volume massimo	Aumentare il volume sul dispositivo al livello massimo

SiriusXM		
Controllare l'antenna	La radio ha rilevato un guasto dell'antenna SiriusXM. Il cavo dell'antenna potrebbe essere staccato o danneggiato.	<p>Verificare che il cavo dell'antenna sia collegato a SiriusXM Connect Tuner.</p> <p>Ispezionare il cavo dell'antenna per verificare eventuali danni e attorcigliamenti. Sostituire l'antenna se il cavo è danneggiato.</p> <p>I prodotti SiriusXM sono in vendita dal rivenditore car audio locale o online a www.shop.siriusxm.com.</p>
Controllare il tuner	La radio ha difficoltà a comunicare con SiriusXM Connect Tuner. Il tuner potrebbe essere staccato o danneggiato.	Verificare che il cavo del SiriusXM Connect Tuner sia saldamente collegato alla radio.
Nessun segnale	Il SiriusXM Connect Tuner ha difficoltà a ricevere il segnale satellitare SiriusXM.	<p>Verificare che il veicolo si trovi all'esterno e disponga di una visione chiara del cielo.</p> <p>Verificare che l'antenna SiriusXM con base magnetica sia montata su una superficie di metallo sulla parte esterna del veicolo.</p> <p>Spostare l'antenna SiriusXM e allontanarla da qualsiasi ostruzione.</p> <p>Ispezionare il cavo dell'antenna per verificare eventuali danni e attorcigliamenti.</p> <p>Consultare il manuale d'installazione del SiriusXM Connect Tuner per maggiori informazioni sull'installazione dell'antenna. Sostituire l'antenna se il cavo è danneggiato. I prodotti SiriusXM sono in vendita dal rivenditore car audio locale o online a www.shop.siriusxm.com.</p>
Subscription Updated (Abbonamento aggiornato).	La radio ha rilevato un cambiamento dello stato dell'abbonamento SiriusXM. Premere il pulsante dell'encoder per cancellare il messaggio.	Visitare www.siriusxm.com o chiamare il 866-635-2349 negli USA o 877-438-9677 in Canada in caso di domande riguardo l'abbonamento.
Channel Not Available (Canale non disponibile)	Il canale richiesto non è un canale SiriusXM valido, o il canale che si stava ascoltando non è più disponibile. Questo messaggio può anche essere visualizzato brevemente quando si collega un nuovo SiriusXM Connect Tuner per la prima volta.	Visitare www.siriusxm.com maggiori informazioni sulla serie dei canali SiriusXM.
Channel Not Subscribed (Canale non abbonato)	Il canale richiesto non è un canale incluso nel pacchetto di abbonamento SiriusXM, o il canale che si stava ascoltando non è più incluso nel pacchetto di abbonamento SiriusXM.	Visitare www.siriusxm.com o chiamare il 866-635-2349 negli USA o 877-438-9677 in Canada in caso di domande riguardo il pacchetto di abbonamento o se si desidera abbonare questo canale.
Channel Locked (Canale bloccato)	Il canale richiesto è bloccato dalla funzione Parental Control (Controllo genitori) della radio. Vedere pagina 10 per maggiori informazioni sulla funzione Parental Control e come accedere a canali bloccati.	

Rockford Corporation offers a limited warranty on Rockford Fosgate products on the following terms:

Length of Warranty

POWER Amplifiers – 2 Years
BMW® Direct Fit Speakers – 2 Years
PUNCH® & PRIME® Amplifiers – 1 Year
Speakers, Signal Processors, Accessories and Capacitors – 1 Year
All marine, motorcycle, motorsport products - 2 Years
Any Factory Refurbished Product – 90 Days (receipt required)

What is Covered

This warranty applies only to Rockford Fosgate products sold to consumers by authorized Rockford Fosgate dealers in the United States of America. Products purchased by consumers from an Authorized Rockford Fosgate Dealer in another country are covered only by that country's Distributor and not by Rockford Corporation.

Who is Covered

This warranty covers only the original purchaser of Rockford product purchased from an authorized Rockford Fosgate dealer in the United States. In order to receive service, the purchaser must provide Rockford with a copy of the receipt stating the customer name, dealer name, product purchased and date of purchase.

Products found to be defective during the warranty period will be repaired or replaced (with a product deemed to be equivalent) at Rockford's discretion.

What is Not Covered

- Damage caused by accident, abuse, improper installation, operations, theft, water (on non-Element Ready products).
- Any cost or expense related to the removal or reinstallation of product.
- Service performed by anyone other than Rockford or an authorized Rockford Fosgate service center.
- Any product which has had the serial number defaced, altered, or removed.
- Subsequent damage to other components.
- Any product purchased outside the U.S.
- Any product not purchased from an authorized Rockford Fosgate dealer. Refer to rockfordfosgate.com dealer locator for more detail.

Limit on Implied Warranties

Any implied warranties including warranties of fitness for use and merchantability are limited in duration to the period of the express warranty set forth above. Some states do not allow limitations on the length of an implied warranty, so this limitation may not apply. No person is authorized to assume for Rockford Fosgate any other liability in connection with the sale of the product.

How to Obtain Service

Please call 1-800-669-9899 for Rockford Customer Service. You must obtain an RA# (Return Authorization number) to return any product to Rockford Fosgate. You are responsible for shipment of product to Rockford.

EU Warranty

This product meets the current EU warranty requirements, see your Authorized dealer for details.