



— Installation assistance available at: —
RFTTECH
— www.rockfordfosgate.com/support —

**2014+
HARLEY-DAVIDSON®
STREET/ROAD GLIDE
SUBWOOFER KIT**

HD14-SBSUB

600 South Rockford Drive • Tempe, Arizona 85281 United States
Direct: (480) 967-3565 • Toll Free: (800) 669-9899
rockfordfosgate.com



Introduction

Dear Customer,

Congratulations on your purchase of the world's finest brand of audio products. At Rockford Fosgate we are fanatics about musical reproduction at its best, and we are pleased you chose our product. Through years of engineering expertise, hand craftsmanship and critical testing procedures, we have created a wide range of products that reproduce music with all the clarity and richness you deserve.

For maximum performance we recommend you have your new Rockford Fosgate product installed by an Authorized Rockford Fosgate Dealer. Please read your warranty and retain your receipt and original carton for possible future use.

Great product and competent installations are only a piece of the puzzle when it comes to your system. Make sure that your installer is using 100% authentic installation accessories from Rockford Fosgate in your installation. Rockford Fosgate has everything from RCA cables and speaker wire to power wire and battery connectors. Insist on it! After all, your new system deserves nothing but the best.

To add the finishing touch to your new Rockford Fosgate image order your Rockford accessories, which include everything from T-shirts to hats.

Visit our web site for the latest information on all Rockford products; www.rockfordfosgate.com or, in the U.S. call 1-800-669-9899 or FAX 1-800-398-3985. For all other countries, call +001-480-967-3565 or FAX +001-480-966-3983.

Table of Contents

2	Introduction
3-10	Contents
12	Warranty

If, after reading your manual, you still have questions regarding this product, we recommend that you see your Rockford Fosgate dealer. If you need further assistance, you can call us direct at 1-800-669-9899. Be sure to have your serial number, model number and date of purchase available when you call.

For the latest information and installation instructions go to <https://rockfordfosgate.com/products/selector/motorcycle-accessories/>

PRACTICE SAFE SOUND

Continuous exposure to sound pressure levels over 100dB may cause permanent hearing loss. High powered auto sound systems may produce sound pressure levels well over 130dB. Use common sense and practice safe sound.

PRATIQUÉZ UNE ÉCOUTE SANS RISQUES

Une exposition continue à des niveaux de pression acoustique supérieurs à 100 dB peut causer une perte d'acuité auditive permanente. Les systèmes audio de forte puissance pour auto peuvent produire des niveaux de pression acoustique bien au-delà de 130 dB. Faites preuve de bon sens et pratiquez une écoute sans risques

PRACTIQUE EL SONIDO SEGURO

El contacto continuo con niveles de presión de sonido superiores a 100 dB puede causar la pérdida permanente de la audición. Los sistemas de sonido de alta potencia para automóviles pueden producir niveles de presión de sonido superiores a los 130 dB. Aplique el sentido común y practique el sonido seguro.

PRAKTIZIEREN SIE SICHEREN SOUND

Fortgesetzte Geräuschdruckpegel von über 100 dB können beim Menschen zu permanentem Hörverlust führen. Leistungsstarke Autosoundsysteme können Geräuschdruckpegel erzeugen, die weit über 130 dB liegen. Bitte wenden Sie gesunden Menschenverstand an und praktizieren Sie sicheren Sound.

OSSERVATE LE REGOLE DEL SUONO SENZA PERICOLI

La costante esposizione a livelli di pressione acustica al di sopra dei 100dB possono causare la perdita permanente dell'udito. I sistemi audio ad alta potenza possono produrre livelli di pressione acustica ben superiori ai 130dB. Si consiglia il buon senso e l'osservanza delle regole del suono senza pericoli

Installation Considerations

This kit was designed exclusively for the 2014 to present Harley Davidson Street Glide and Road Glide touring bikes. This kit allows you to add an amplifier and subwoofers into your saddle bags. If you feel unsure about installing this system yourself, reach out to one of our many qualified Rockford Fosgate dealers for a qualified technician at <https://rockfordfosgate.com>

Before installing, disconnect the negative (-) battery terminal to prevent damage to the unit, fire or possible injury.

Before beginning any installation, follow these simple rules:

- Be sure to carefully read and understand the instructions before attempting to install this motorcycle subwoofer kit.
- Consult your motorcycle's service manual for model specific information. Models may differ from year to year depending on factory options and aftermarket accessories added.
- This motorcycle subwoofer installation kit is specifically designed to work with Rockford Fosgate's POWER M5-800X4 amplifier.
- With the addition of an amplifier, be sure that your current charging system is in proper working order.
- Utilize a blanket or fender cover to protect the front fender from tools or any other items that may be accidentally dropped while removing the fairing and gas tank.
- Visit rockfordfosgate.com for more comprehensive installation videos and product information.

Contents

- (1) Amplifier Mounting Bracket
- (1) Amplifier Cover
- (1) M5-800x4 Amplifier
- (2) Amplifier Mounting Screws
- (1) Brake Side Subwoofer and Enclosure
- (1) Clutch Side Subwoofer and Enclosure
- (1) Brake Side Wire Harness
- (1) Clutch Side Wire Harness
- (1) Bike Side Wire Harness
- (1) Bag Side Wire Harness
- (2) Brake Side Bulk Head Screws
- (6) Brake/Clutch Side Pass-thru Screws
- (4) Brake/Clutch Side Pass-thru Washers
- (2) Cut Templates
- (8) Cut Template Mounting Screws
- (8) Grill Mounting Screws
- (1) 45mm Hole Saw
- (2) Grill Assemblies and Block Off Plates
- (2) Grommets
- (4) Bag Mounting Bolts and Clips
- (1) Allen Wrench for Bag Mounting Bolts
- (2) Wire harness hole block off (only used if previously had TMS69BL14 kit)
- (1) Y-adaptor for fairing amp
- (12) Zip Ties
- (2) Alcohol prep pads

Specifications

	M5-800X4		M1D2-10B
CTA-2006 Dynamic Power* Rating	125W x 4 @ 40hm 200W x 4 @ 20hm 400W x 2 @ 40hm Bridged	Power Handling - Watts	300 Watts RMS
CTA-2006 Continuous Power Rating	100W x 4 @ 40hm 100W x 4 @ 20hm 200W x 2 @ 40hm Bridged	Nominal Impedance	Dual 20hm wired to 40hms
			Fusing
		Overall System Fusing	40 Amp Fuse

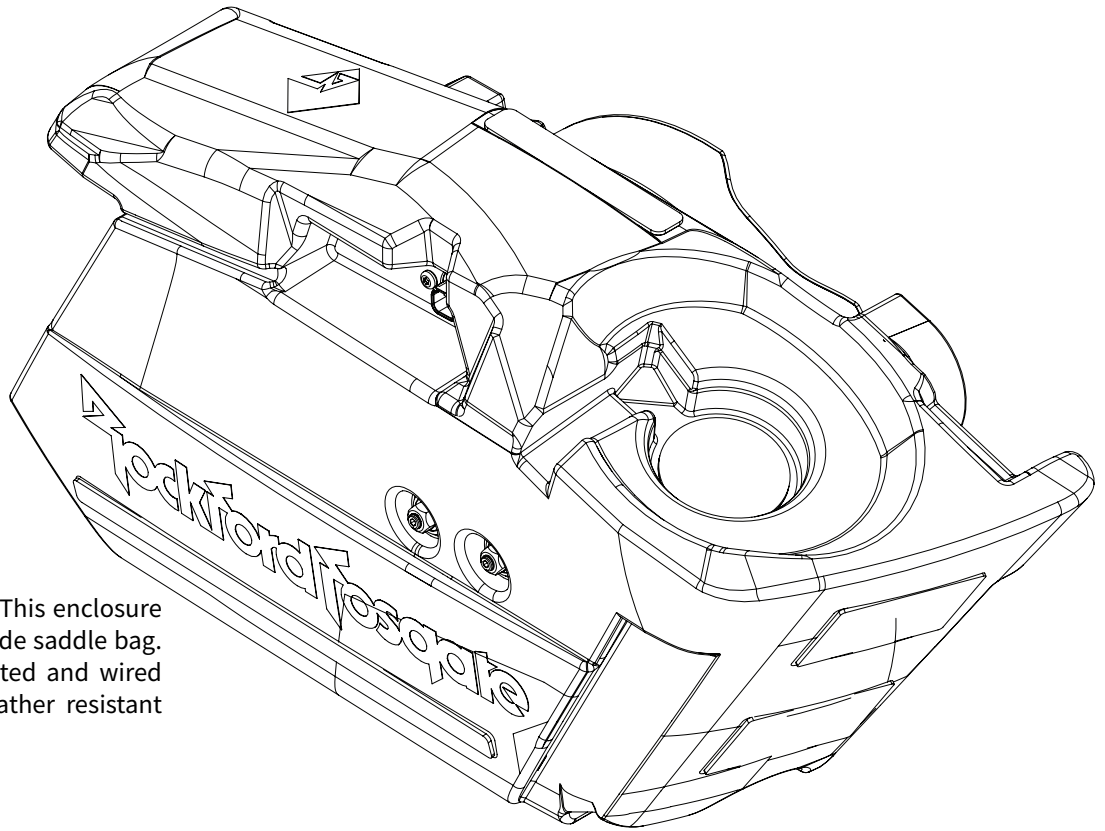
COMPATIBILITY

- 2014+ Harley-Davidson Street Glide****
- 2015+ Harley-Davidson Road Glide****
- 2014+ Harley-Davidson Electra Glide****

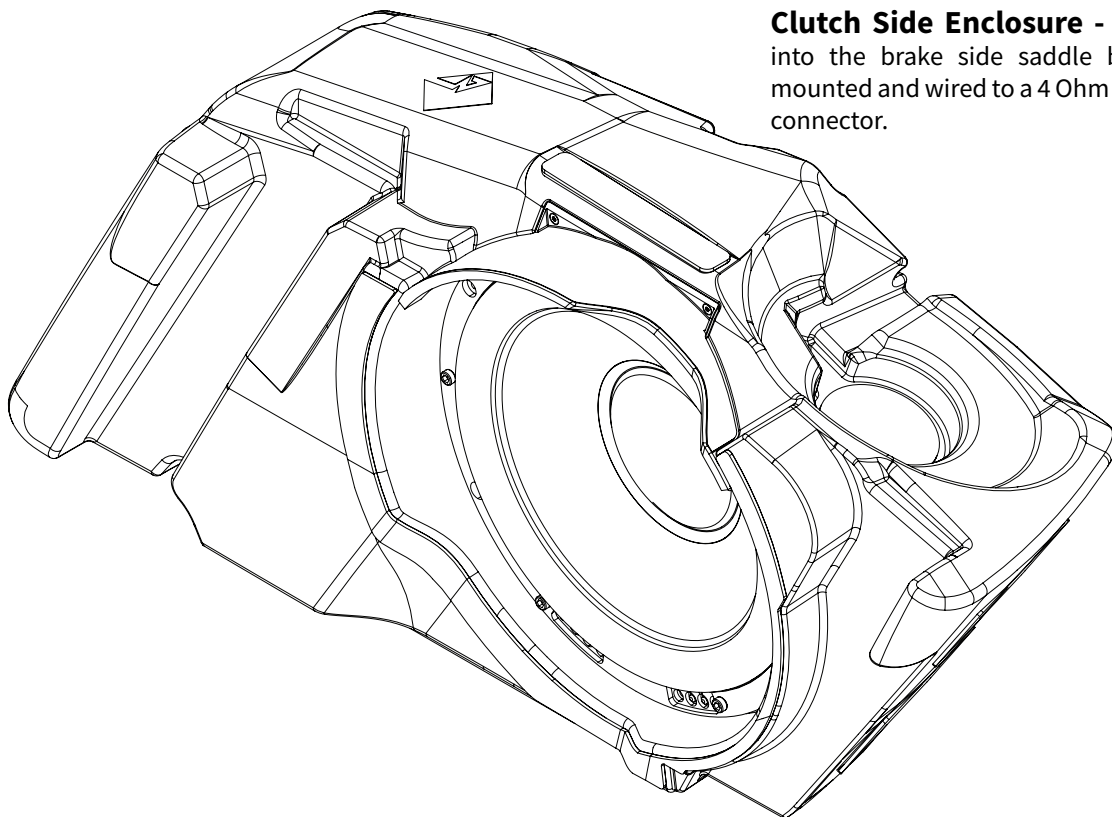
For more information and product installation videos, visit the product details page: rockfordfosgate.com/products/details/hd14-sbsub

*Dynamic Power indicates actual, usable power delivered by the amplifier to the speakers when listening to music. Dynamic Power ratings are based on CTA-2006 industry standards. Dynamic Power has been provided to indicate the actual RMS power output performance of the amplifier in the real world.

** The HD14-SBSUB kit is designed to work exclusively with Rockford Fosgate’s Harley Davidson Plug and Play Stage kits that utilize the TM or M5 amplifiers mounted in the fairing. This only works with factory fit 5x7” bag lids or with the TMS69BL14 bag lid speakers. If your bag lids have the OEM power locking system, this kit will NOT fit. If your bike came with an factory amplifier in the saddle bags, this kit will NOT fit. This kit was designed for OEM non stretched bags.

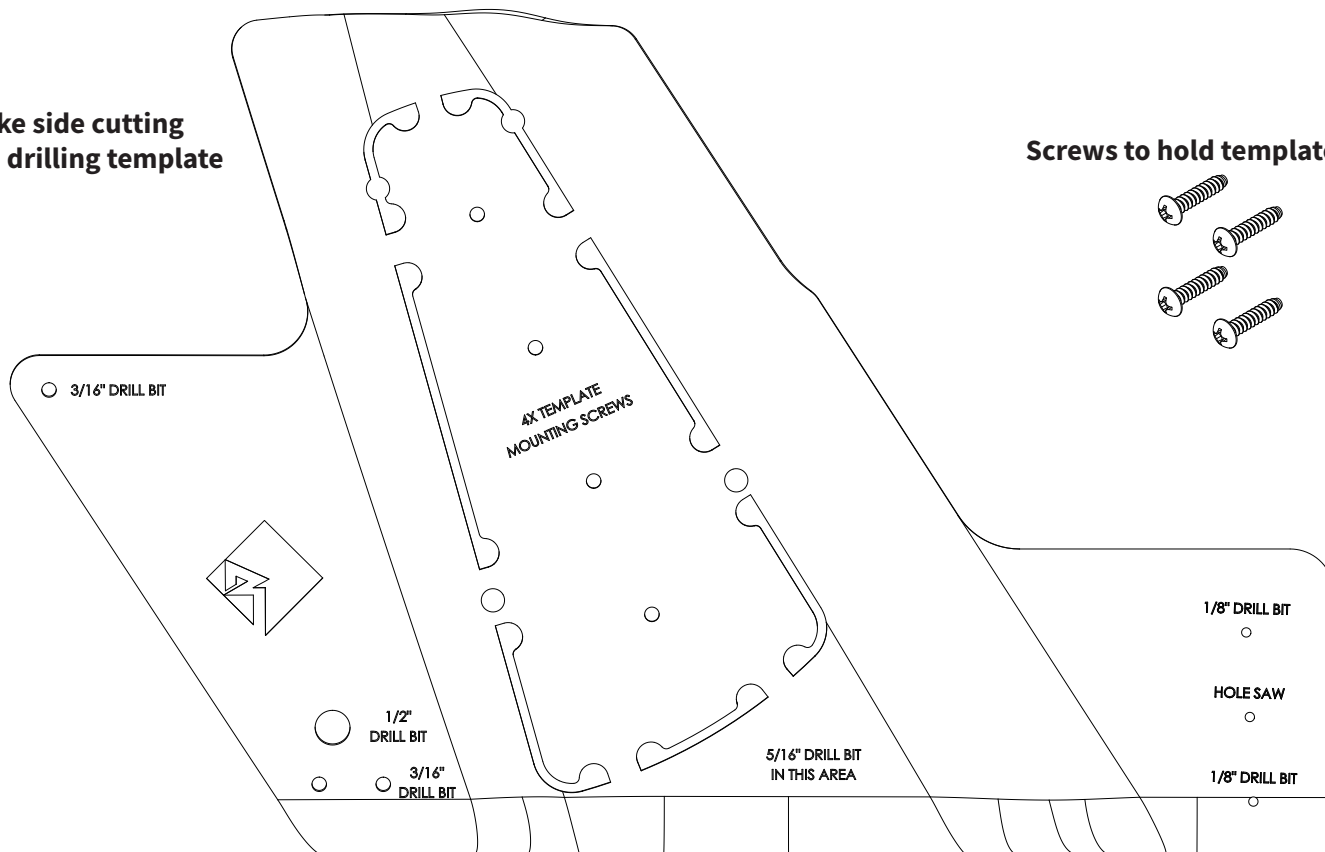


Brake Side Enclosure - This enclosure fits perfectly into the brake side saddle bag. The subwoofer comes mounted and wired to a 4 Ohm load with a weather resistant connector.

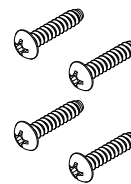


Clutch Side Enclosure - This enclosure fits perfectly into the brake side saddle bag. The subwoofer comes mounted and wired to a 4 Ohm load with a weather resistant connector.

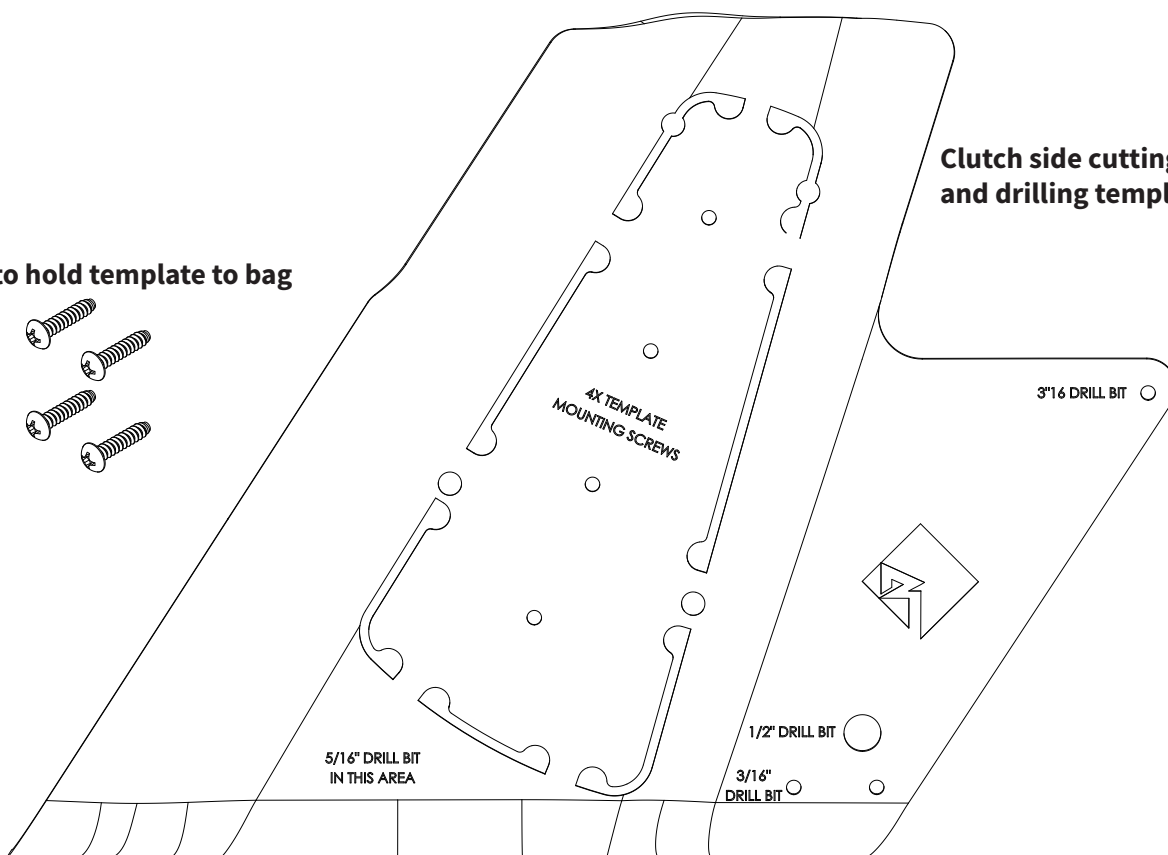
Brake side cutting and drilling template



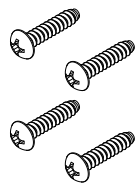
Screws to hold template to bag



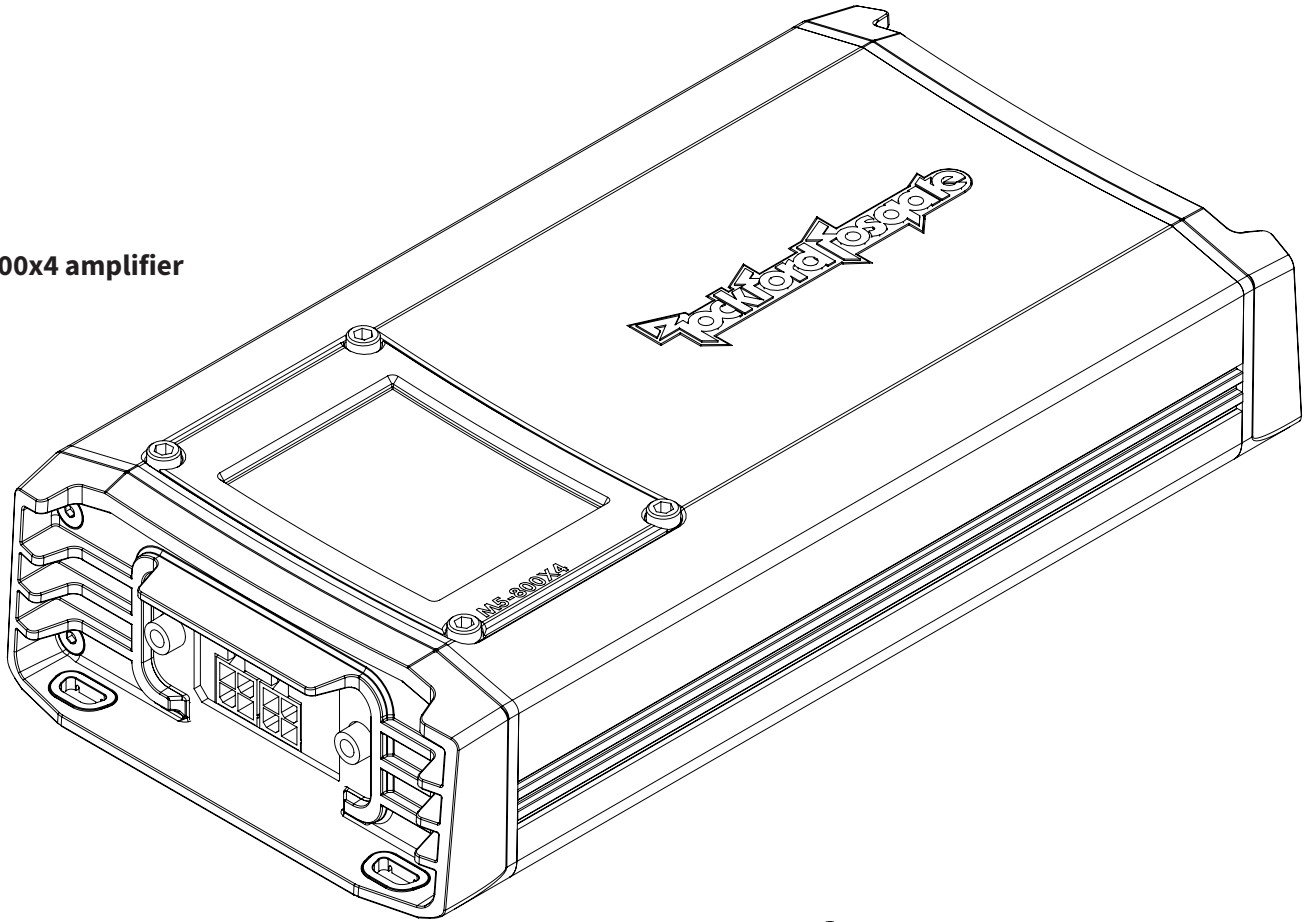
Screws to hold template to bag



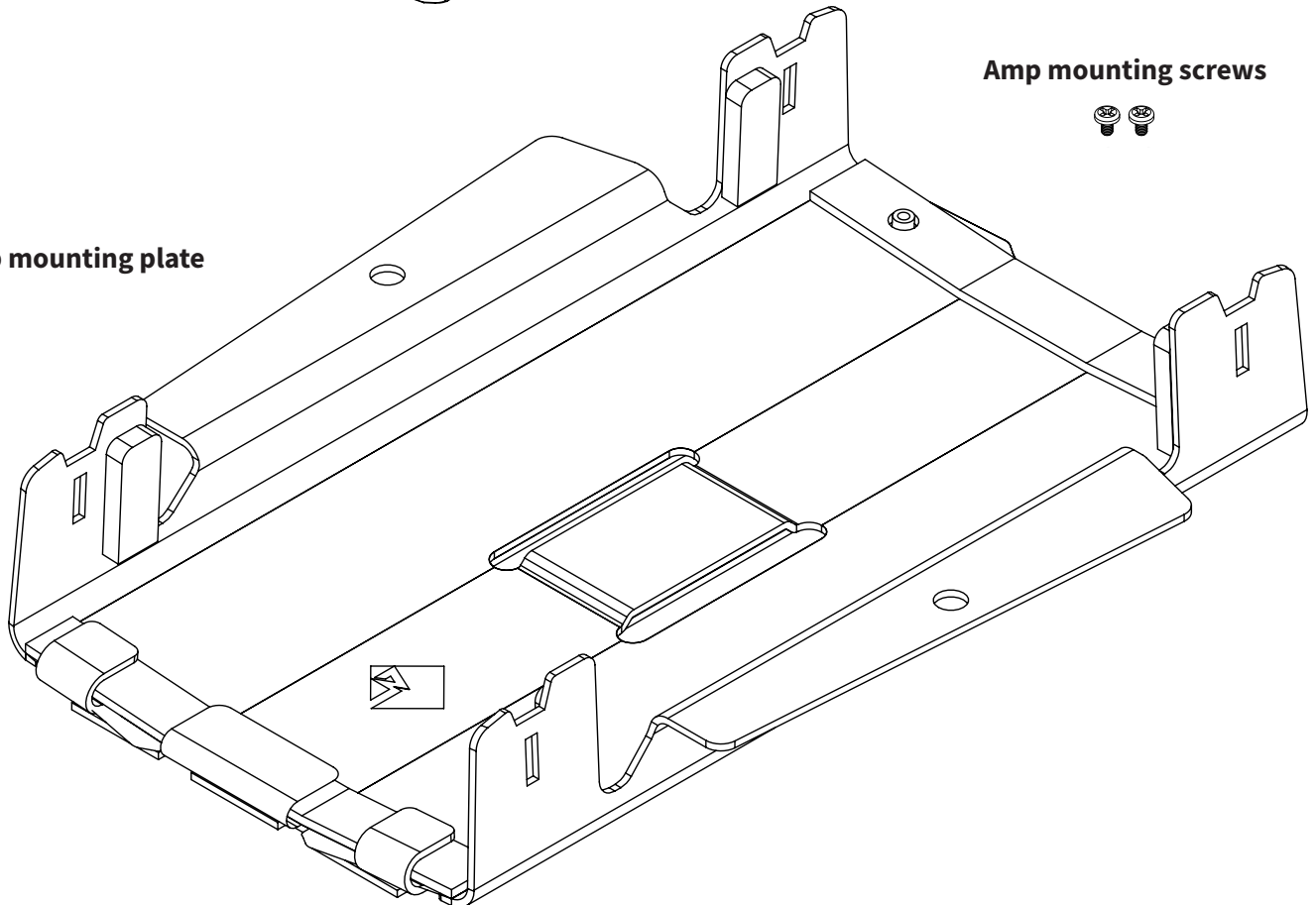
Clutch side cutting and drilling template



M5-800x4 amplifier



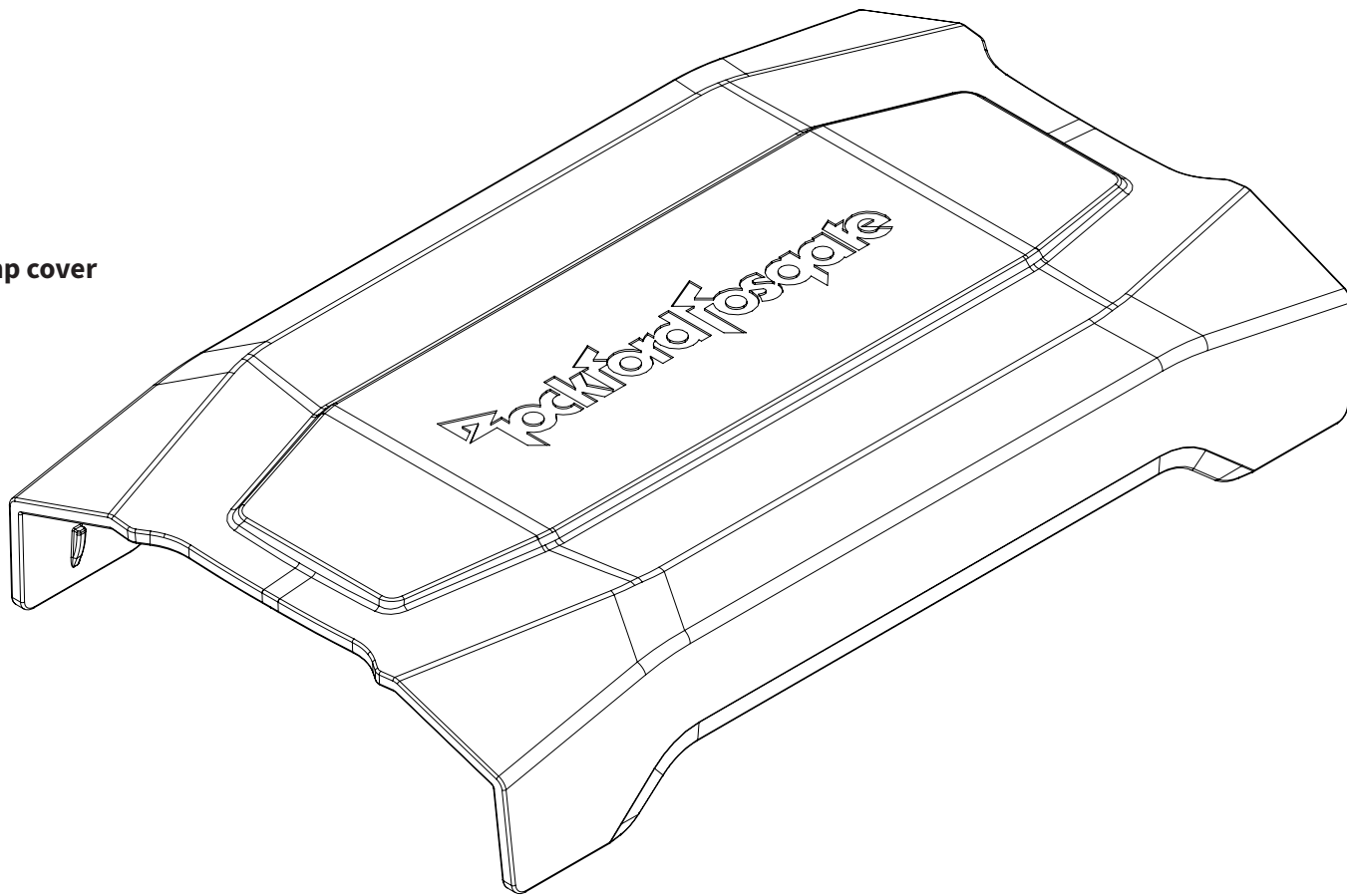
Amp mounting plate



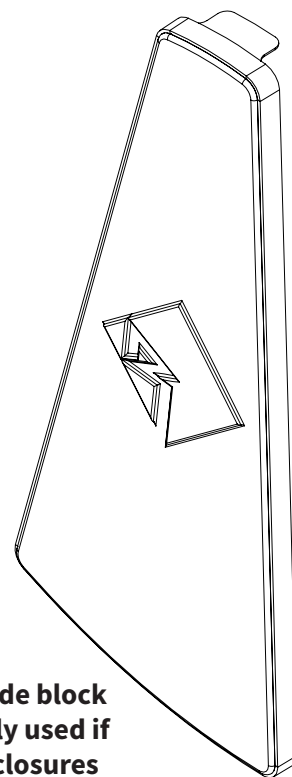
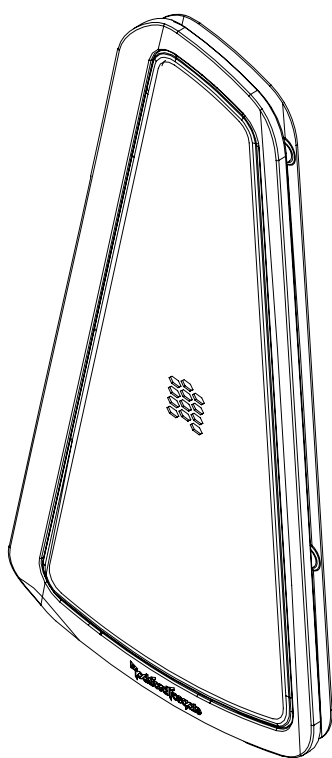
Amp mounting screws



Amp cover

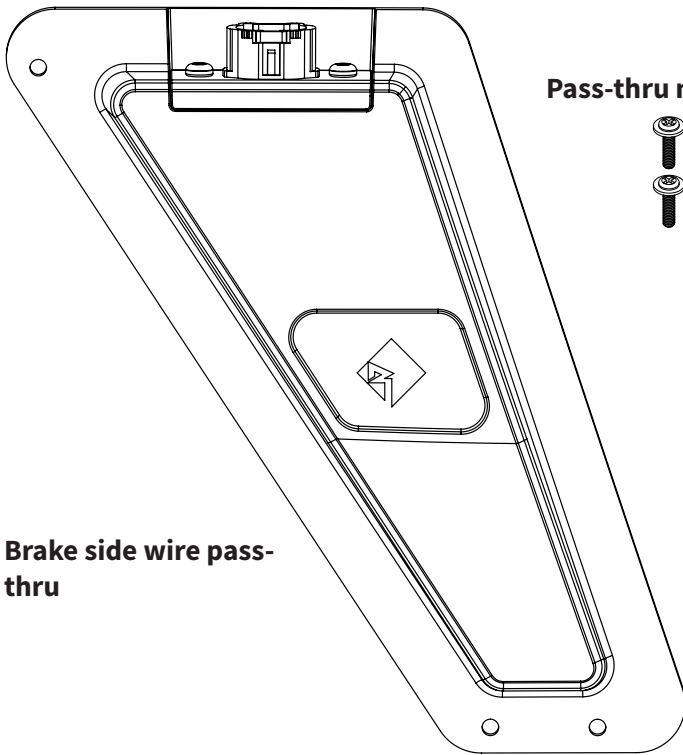


Brake and Clutch side grill assembly and screws



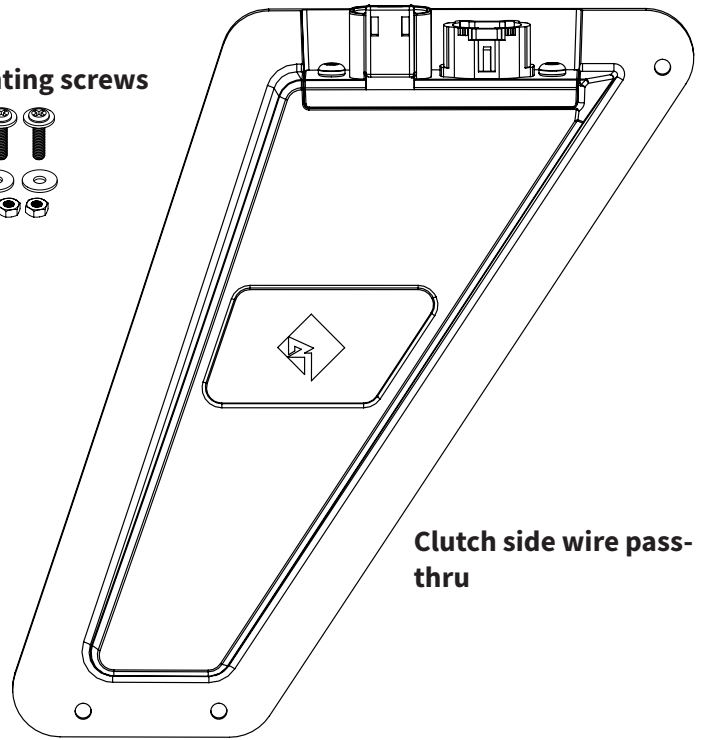
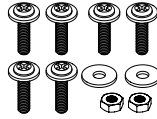
Brake and Clutch side block off plate. This is only used if you remove the enclosures

CONTENTS

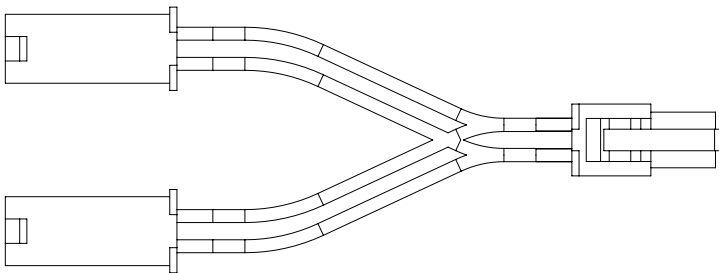


Brake side wire pass-thru

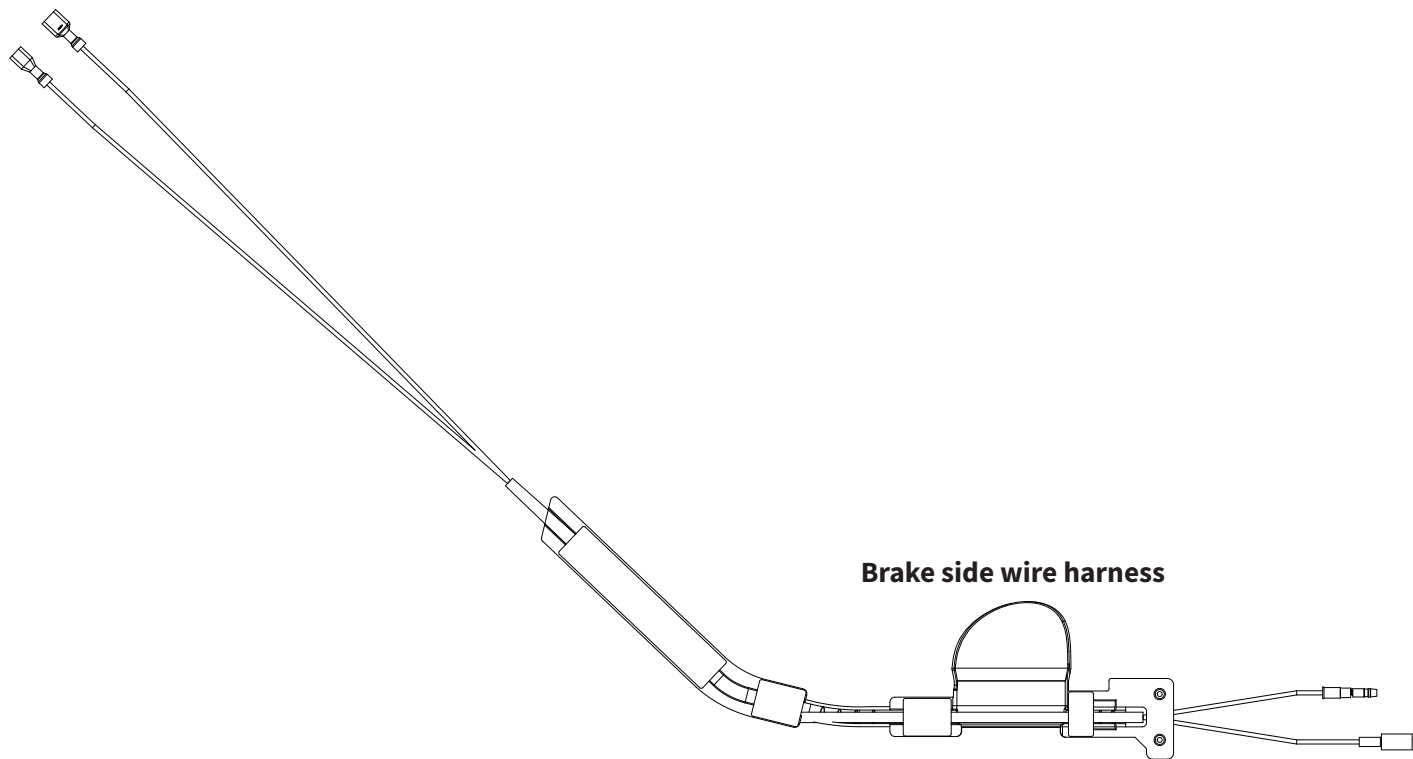
Pass-thru mounting screws



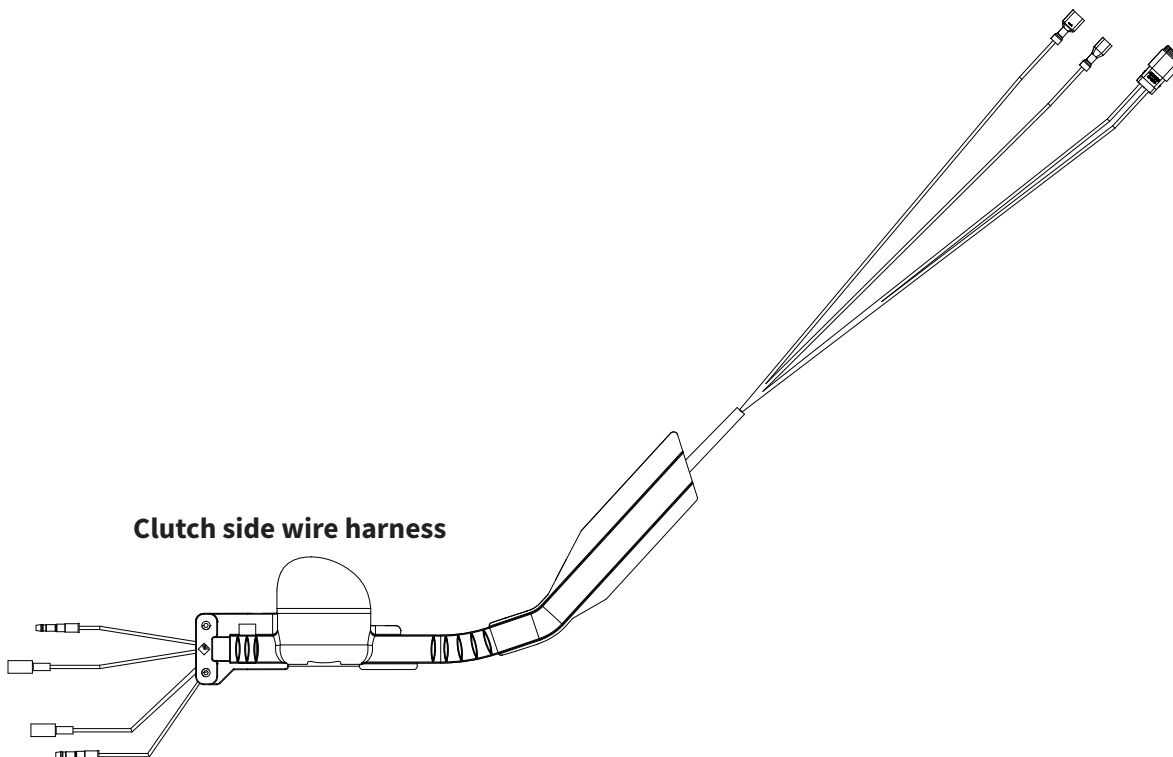
Clutch side wire pass-thru



Y-adaptor for fairing amp. This will allow you to get signal from your front amplifier to sub amplifier.



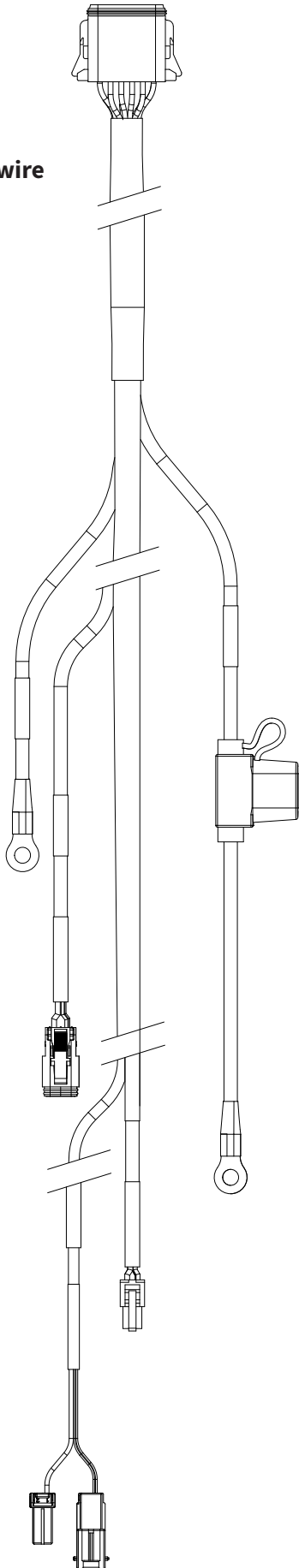
Brake side wire harness



Clutch side wire harness

CONTENTS

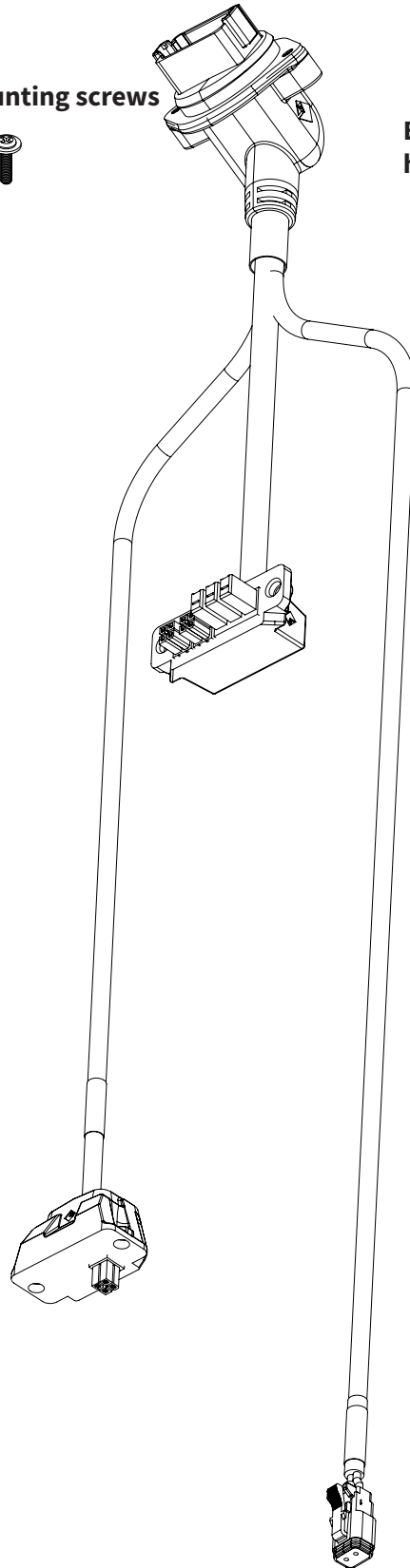
Bike side wire harness



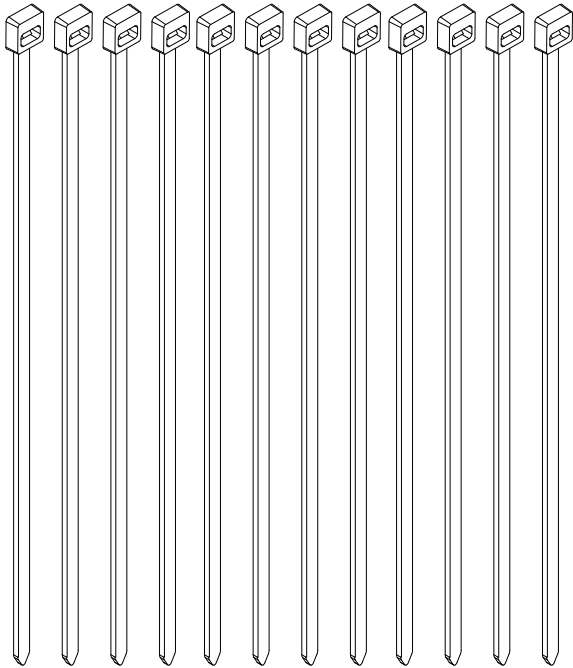
Bulk head mounting screws



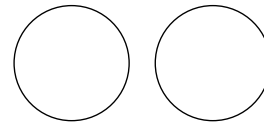
Bag side wire harness



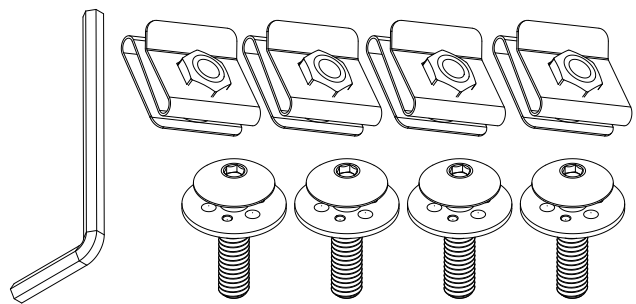
Zip ties



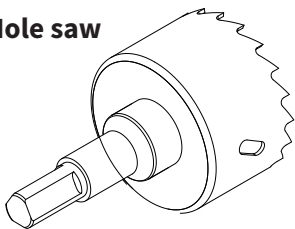
Wire harness hole block off



Saddle bag mounting bolts, clips and wrench



Hole saw



Rockford Corporation offers a limited warranty on Rockford Fosgate products on the following terms:

Length of Warranty

POWER Amplifiers – 2 Years
BMW® Direct Fit Speakers – 2 Years
PUNCH® & PRIME® Amplifiers – 1 Year
Speakers, Signal Processors, Accessories and Capacitors – 1 Year
All marine, motorcycle, motorsport products - 2 Years
Any Factory Refurbished Product – 90 Days (receipt required)

What is Covered

This warranty applies only to Rockford Fosgate products sold to consumers by authorized Rockford Fosgate dealers in the United States of America. Products purchased by consumers from an Authorized Rockford Fosgate Dealer in another country are covered only by that country's Distributor and not by Rockford Corporation.

Who is Covered

This warranty covers only the original purchaser of Rockford product purchased from an authorized Rockford Fosgate dealer in the United States. In order to receive service, the purchaser must provide Rockford with a copy of the receipt stating the customer name, dealer name, product purchased and date of purchase.

Products found to be defective during the warranty period will be repaired or replaced (with a product deemed to be equivalent) at Rockford's discretion.

What is Not Covered

1. Damage caused by accident, abuse, improper installation, operations, theft, water (on non-Element Ready products).
2. Any cost or expense related to the removal or reinstallation of product.
3. Service performed by anyone other than Rockford or an authorized Rockford Fosgate service center.
4. Any product which has had the serial number defaced, altered, or removed.
5. Subsequent damage to other components.
6. Any product purchased outside the U.S.
7. Any product not purchased from an authorized Rockford Fosgate dealer. Refer to rockfordfosgate.com dealer locator for more detail.

Limit on Implied Warranties

Any implied warranties including warranties of fitness for use and merchantability are limited in duration to the period of the express warranty set forth above. Some states do not allow limitations on the length of an implied warranty, so this limitation may not apply. No person is authorized to assume for Rockford Fosgate any other liability in connection with the sale of the product.

How to Obtain Service

Please call 1-800-669-9899 for Rockford Customer Service. You must obtain an RA# (Return Authorization number) to return any product to Rockford Fosgate. You are responsible for shipment of product to Rockford.

EU Warranty

This product meets the current EU warranty requirements, see your Authorized dealer for details.