

Installation assistance available at:

# RFTECH

[www.rockfordfosgate.com/rftech](http://www.rockfordfosgate.com/rftech)

**1998-2013**  
**HARLEY-DAVIDSON®**  
**AMPLIFIER INSTALL KIT**

**RFK-HD9813**

Serial Number: \_\_\_\_\_ Date of Purchase: \_\_\_\_\_



Installation & Operation

# Introduction

Dear Customer,

*Congratulations on your purchase of the world's finest brand of audio products. At Rockford Fosgate we are fanatics about musical reproduction at its best, and we are pleased you chose our product. Through years of engineering expertise, hand craftsmanship and critical testing procedures, we have created a wide range of products that reproduce music with all the clarity and richness you deserve.*

*For maximum performance we recommend you have your new Rockford Fosgate product installed by an Authorized Rockford Fosgate Dealer, as we provide specialized training through Rockford Technical Training Institute (RTTI). Please read your warranty and retain your receipt and original carton for possible future use.*

*Great product and competent installations are only a piece of the puzzle when it comes to your system. Make sure that your installer is using 100% authentic installation accessories from Rockford Fosgate in your installation. Rockford Fosgate has everything from RCA cables and speaker wire to power wire and battery connectors. Insist on it! After all, your new system deserves nothing but the best.*

*To add the finishing touch to your new Rockford Fosgate image order your Rockford accessories, which include everything from T-shirts to hats.*

*Visit our web site for the latest information on all Rockford products;*

**www.rockfordfosgate.com**

or, in the U.S. call 1-800-669-9899 or FAX 1-800-398-3985. For all other countries, call +001-480-967-3565 or FAX +001-480-966-3983.

## Table of Content

- 2 Introduction
- 3-5 Contents
- 5 Warranty

If, after reading your manual, you still have questions regarding this product, we recommend that you see your Rockford Fosgate dealer. If you need further assistance, you can call us direct at **1-800-669-9899**. Be sure to have your serial number, model number and date of purchase available when you call.

## Safety

This symbol with "WARNING" is intended to alert the user to the presence of important instructions. Failure to heed the instructions will result in severe injury or death.



This symbol with "CAUTION" is intended to alert the user to the presence of important instructions. Failure to heed the instructions can result in injury or unit damage.



- To prevent injury and damage to the unit, please read and follow the

instructions in this manual. We want you to enjoy this system, not get a headache.

- If you feel unsure about installing this system yourself, have it installed by a qualified Rockford Fosgate technician.
- Before installation, disconnect the battery negative (-) terminal to prevent damage to the unit, fire and/or possible injury

### PRACTICE SAFE SOUND

Continuous exposure to sound pressure levels over 100dB may cause permanent hearing loss. High powered auto sound systems may produce sound pressure levels well over 130dB. Use common sense and practice safe sound.

## Installation Considerations

This section focuses on some considerations for installing your motorcycle amplifier installation kit. This manual will illustrate the installation of two different fairing styles offered by Harley-Davidson® from the production years ranging from 1998 to 2013. (Ultra Classic®, Electra Glide®, Street Glide®, Tri Glide®, Road Glide® and Road Glide Ultra®.)

NOTE: CVO™ is **NOT** covered.

If you feel unsure about installing this system yourself, have it installed by a qualified technician.

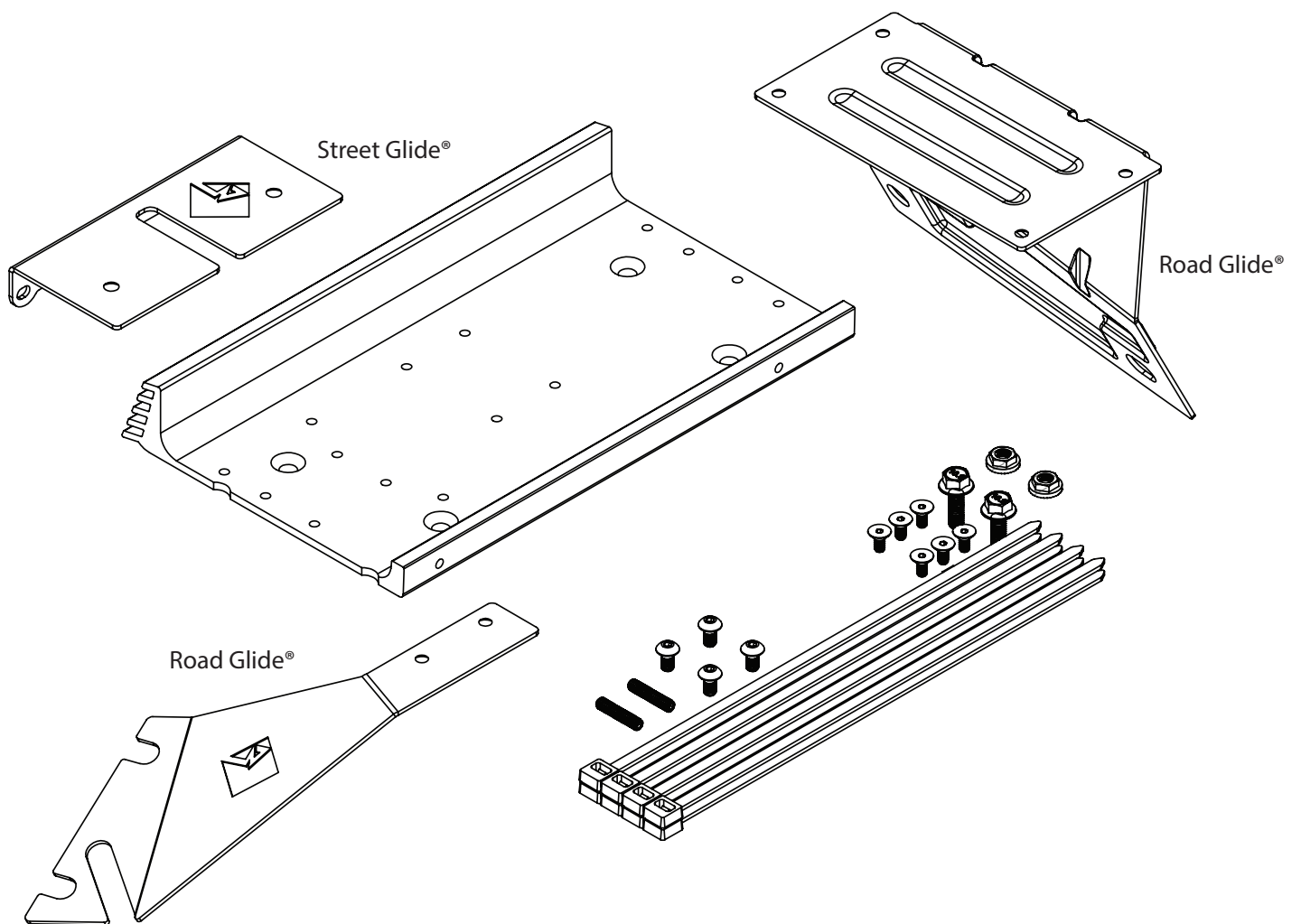
Before installation, disconnect the battery negative (-) terminal to prevent damage to the unit, fire and/or possible injury.

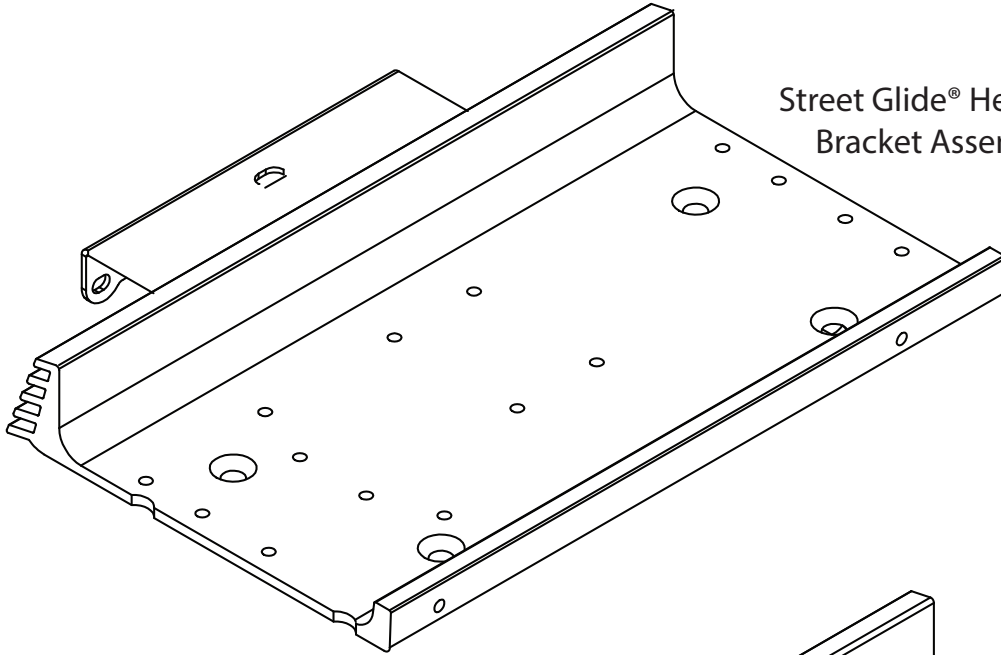
Before beginning any installation, follow these simple rules:

- Be sure to carefully read and understand the instructions before attempting to install this motorcycle audio kit.
- Consult your motorcycle's service manual for model specific information. Models may differ from year to year depending on factory options and aftermarket accessories added.
- This motorcycle amplifier installation kit is specifically designed to work with Rockford Fosgate's POWER and PUNCH® compact chassis amplifiers in both 2 or 4-channel configurations.
- With the addition of an amplifier, be sure that your current charging system is in proper working order.
- Utilize a blanket or fender cover to protect the front fender from tools or any other items that may be accidentally dropped while removing the fairing.
- Visit **rockfordfosgate.com** for more comprehensive installation videos and product information.

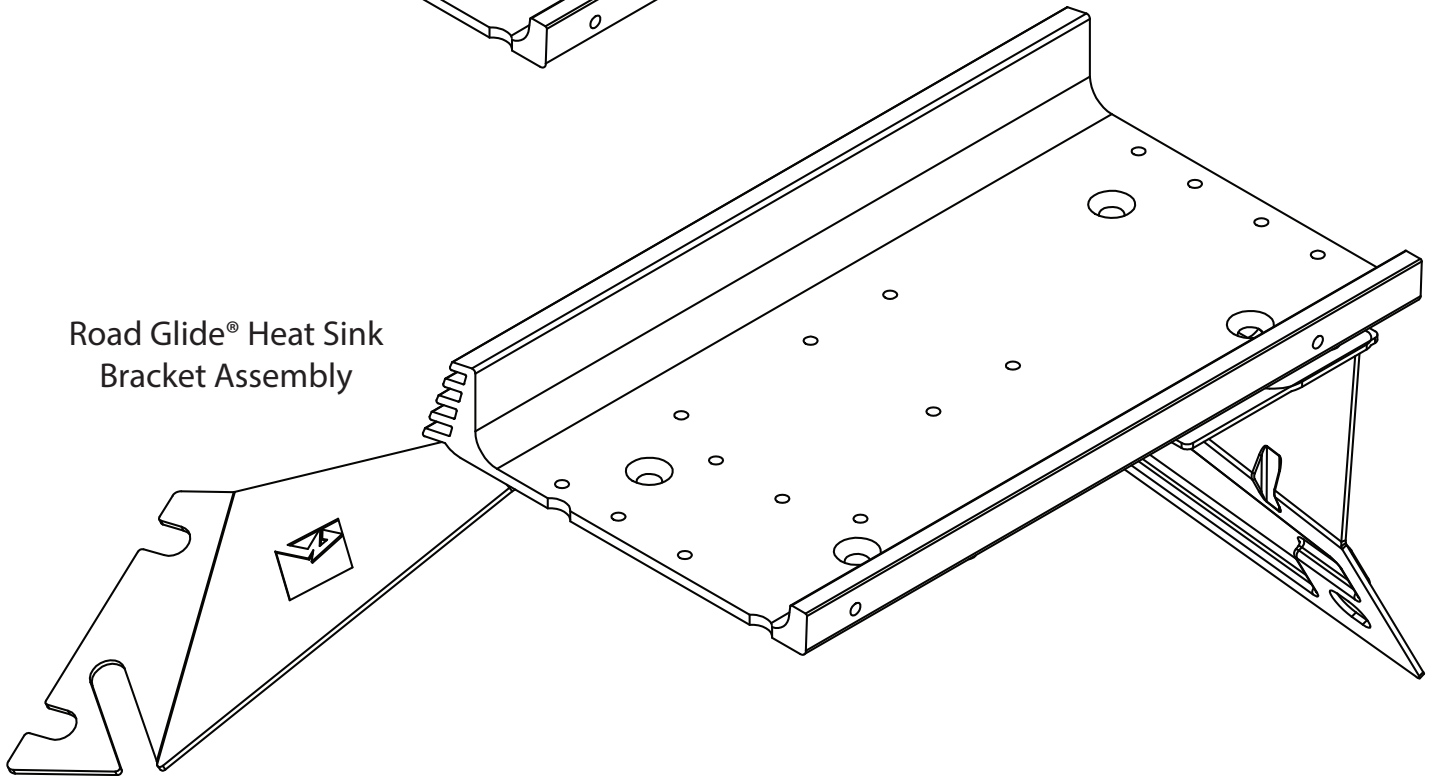
**Contents**

- (1) Power Harness
- (1) Front Input Harness
- (1) Front Output Harness
- (2) Rear Speaker Harness
- (2) Speaker Output Y-Adapter
- (8) Wire Zip Tie Wraps
- (4) Amp Screws
- (6) Road Glide® Heat Sink Screws
- (2) Road Glide® Amp Mounting Brackets
- (2) Street Glide® Heat Sink Screws
- (2) Street Glide® Threaded Studs
- (1) Street Glide® Amp Mounting Bracket
- (1) Amp Heat Sink

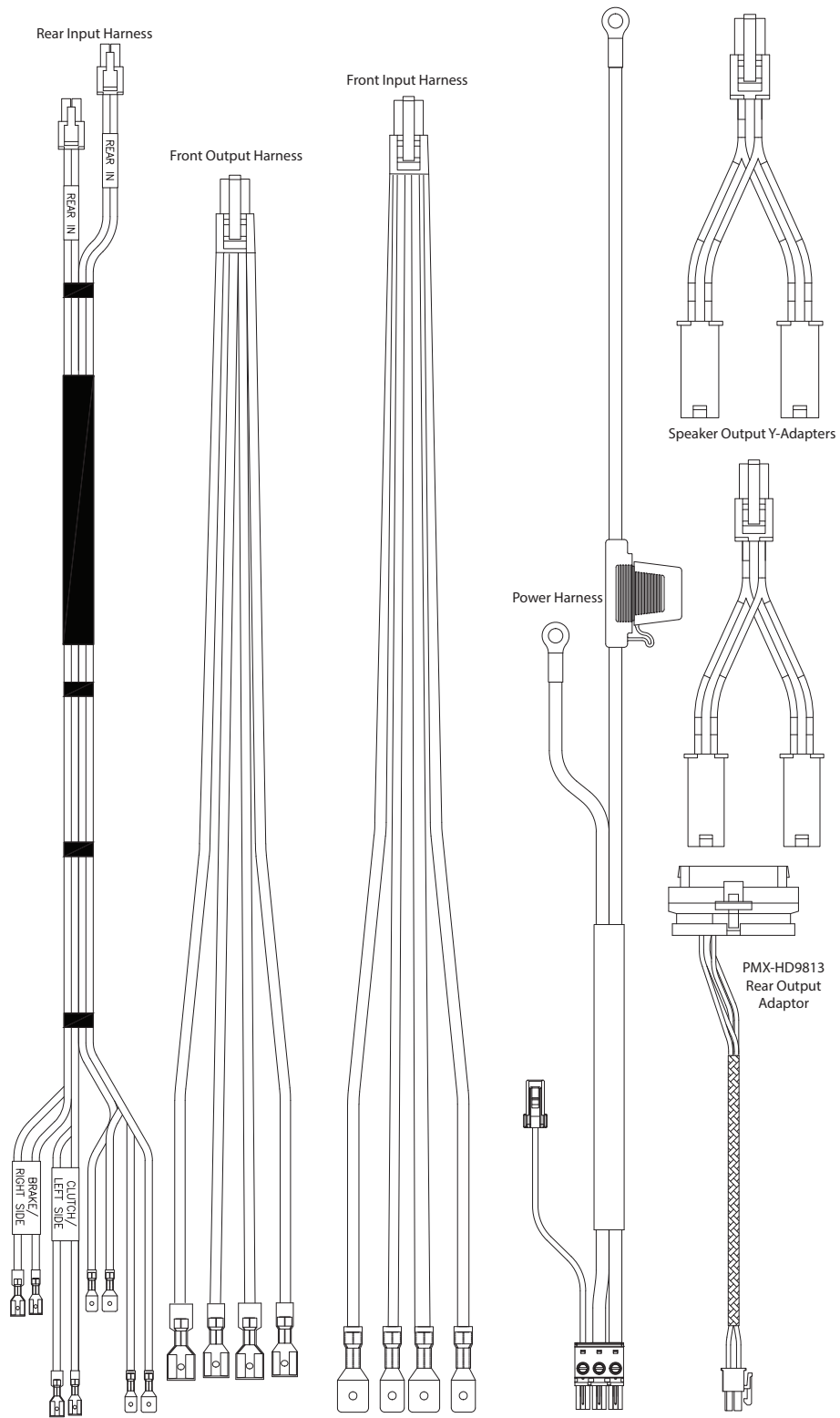




Street Glide® Heat Sink  
Bracket Assembly



Road Glide® Heat Sink  
Bracket Assembly



# Warranty

---

**Rockford Corporation offers a limited warranty on Rockford Fosgate products on the following terms:**

## **Length of Warranty**

- POWER Amplifiers – 2 Years
- BMW® Direct Fit Speakers – 2 Years
- All other products – 1 Year
- Any Factory Refurbished Product – 90 days (receipt required)

## **What is Covered**

This warranty applies only to Rockford Fosgate products sold to consumers by Authorized Rockford Fosgate Dealers in the United States of America or its possessions. Product purchased by consumers from an Authorized Rockford Fosgate Dealer in another country are covered only by that country's Distributor and not by Rockford Corporation.

## **Who is Covered**

This warranty covers only the original purchaser of Rockford product purchased from an Authorized Rockford Fosgate Dealer in the United States. In order to receive service, the purchaser must provide Rockford with a copy of the receipt stating the customer name, dealer name, product purchased and date of purchase.

Products found to be defective during the warranty period will be repaired or replaced (with a product deemed to be equivalent) at Rockford's discretion.

## **What is Not Covered**

1. Damage caused by accident, abuse, improper operations, water, theft, shipping.
2. Any cost or expense related to the removal or reinstallation of product.
3. Service performed by anyone other than Rockford or an Authorized Rockford Fosgate Service Center.
4. Any product which has had the serial number defaced, altered, or removed.
5. Subsequent damage to other components.
6. Any product purchased outside the U.S.
7. Any product not purchased from an Authorized Rockford Fosgate Dealer.

## **Limit on Implied Warranties**

Any implied warranties including warranties of fitness for use and merchantability are limited in duration to the period of the express warranty set forth above. Some states do not allow limitations on the length of an implied warranty, so this limitation may not apply. No person is authorized to assume for Rockford Fosgate any other liability in connection with the sale of the product.

## **How to Obtain Service**

Contact the Authorized Rockford Fosgate Dealer you purchased this product from. If you need further assistance, call 1-800-669-9899 for Rockford Customer Service. You must obtain an RA# (Return Authorization number) to return any product to Rockford Fosgate. You are responsible for shipment of product to Rockford.

## **EU Warranty**

This product meets the current EU warranty requirements, see your Authorized dealer for details.